



WORLD TAEKWONDO
PARA TAEKWONDO COMPETITION RULES

In force as of April 29th, 2022

WT Para Taekwondo Competition Rules & Interpretation

Table of Contents

Article 1	Purpose
Article 2	Application
Article 3	Competition Area
Article 4	Contestant
Article 5	Weight divisions and Sport Classes
Article 6	Competition System and method
Article 7	Duration of contest
Article 8	Drawing of lots
Article 9	International Athlete Classification
Article 10	Weigh-in
Article 11	Procedure of contest
Article 12	Techniques and areas
Article 13	Valid points
Article 14	Scoring and publication
Article 15	Prohibited acts and penalties
Article 16	Golden round and decision of superiority
Article 17	Decisions
Article 18	Knock down
Article 19	Procedure in the event of knock down
Article 20	Procedure in the event of hit to the head
Article 21	Procedures of suspending the contest
Article 22	Technical officials
Article 23	Instant Video Replay (IVR)
Article 24	Sanctions
Article 25	Other matters not specified in the Rules

Preamble

Taekwondo is a full contact martial art turned sport originating from Korea. Taekwondo has been adapted for athletes with an impairment and is referred to as "Para Taekwondo". Para Taekwondo holds athlete safety, fair and transparent rules and refereeing as the basis for competition. Athletes should protect themselves to the best of their ability at all times and not engage in dangerous or unsafe play.

Article 1:

Purpose

- 1.1 The purpose of the Para Taekwondo Competition Rules is to provide standardized rules for all levels of Championships organized and/or promoted by World Taekwondo (WT), WT Continental Unions (CUs) and/or WT Member National Associations (MNAs); the Para Taekwondo Competition Rules are intended to ensure that all matters related to competitions are conducted in a fair, transparent, safe and orderly manner.

(Interpretation #1.1)

The objective of Article 1 is to ensure the standardization of all Para Taekwondo competition worldwide. Any competition not following the fundamental principles of these rules cannot be recognized as a Para Taekwondo competition.

Article 2:

Application

- 2.1 The Para Taekwondo Competition Rules shall apply to all the competitions to be promoted and/or organized by WT, each CU and MNA. However, any MNA wishing to modify some or any part of the Para Taekwondo Competition Rules must first gain the prior approval of WT. In the case that a CU and/or MNA violates WT Para Taekwondo Competition Rules without prior approval of WT, the WT may exercise its discretion to disapprove or revoke its approval of the concerned tournament. In addition, WT may take further disciplinary actions to the pertinent CU or MNA.
- 2.2 All Para Taekwondo competitions promoted, organized, recognized or sanctioned by the WT and/or each CU and/or MNA shall observe the WT Statutes, the Bylaws of Dispute Resolution and Disciplinary Action, and all other rules and regulations.
- 2.3 All Para Taekwondo competitions promoted, organized, recognized or sanctioned by WT, and/or each Continental Union and/or Member National Association, shall abide by the WT Medical Code, WT Anti-Doping Rules and the WT Athlete Classification Rules.

(Interpretation #2.1)

First gain the approval: Any organization desiring to make a change in any portion of the existing rules must submit to WT the contents of the desired amendment along with the reasons for the desired changes. Approval for any changes in these rules must be received from WT at least one month prior to the scheduled competition. WT can apply Para Taekwondo Competition Rules with modifications in its promoted Championships with the decision of the Para Taekwondo Committee with the approval of the President.

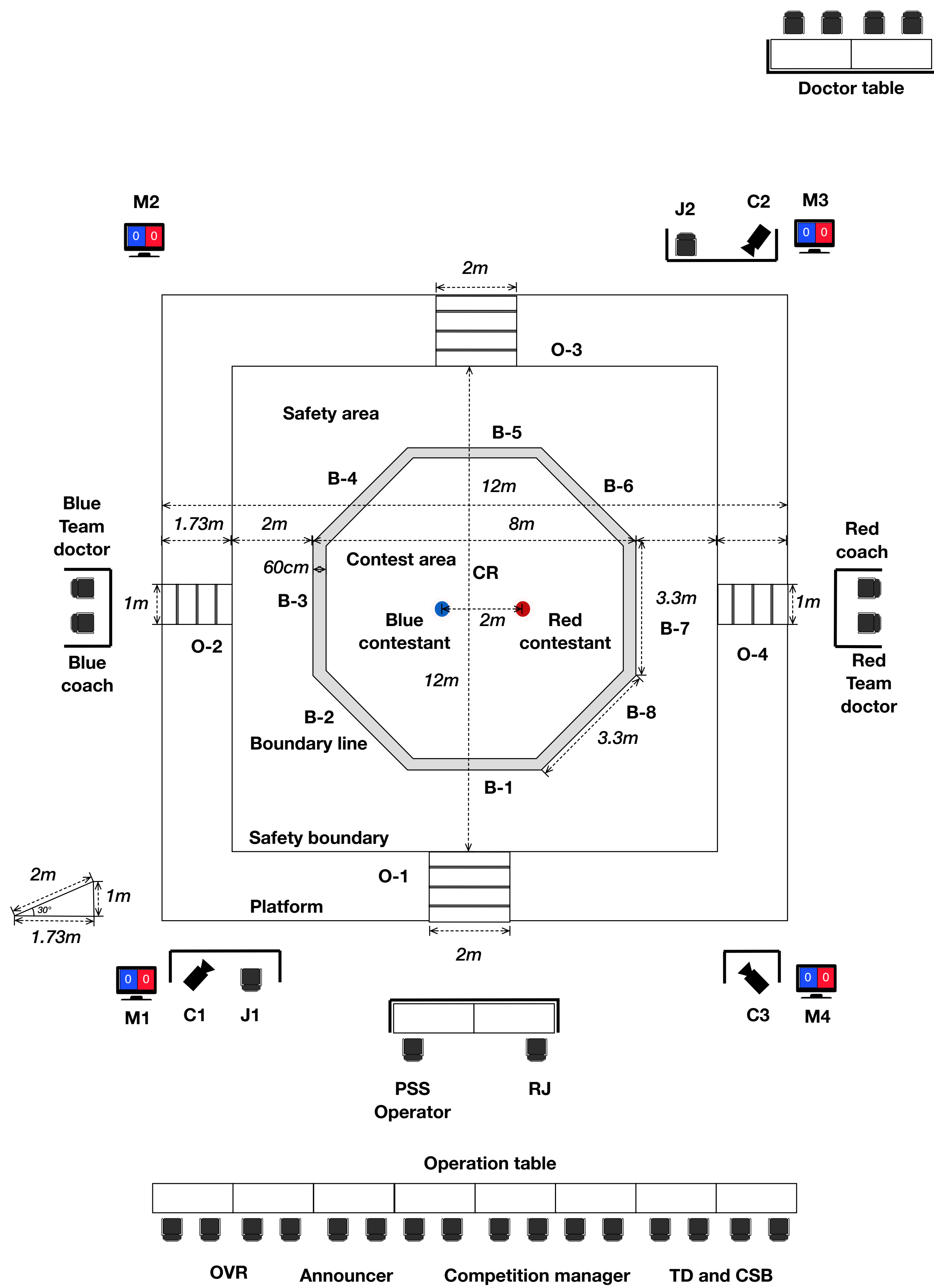
Article 3:

Competition Area

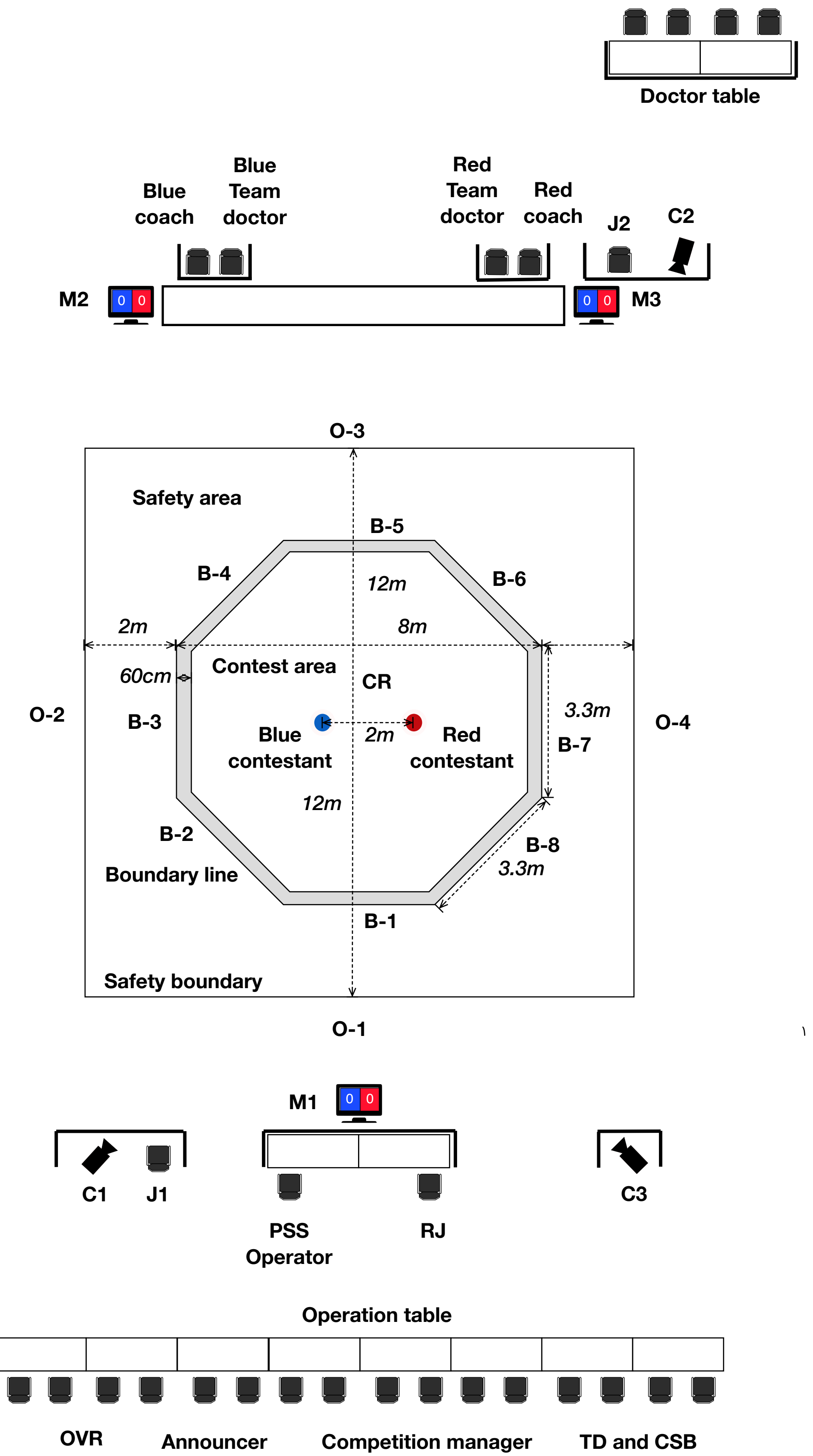
- 3.1 The Competition Area is composed of a Contest Area and a Safety Area. The Contest Area and Safety Area shall have a flat surface without any obstructing projections, and be covered with a WT recognized mat elastic and non-slippery mat. The Contest Area may also be installed on a platform 60-100 cm high from the floor, if necessary. The Outer Line of the of the Safety Area shall be inclined at a gradient of less than 30 degrees, for the safety of the contestants.
- 3.1.1 **Octagonal-shape**
The Competition Area is composed of a Contest Area and a Safety Area. The Competition Area shall be square shaped and the size shall be no smaller than 10m x 10m and no larger than 12m x 12m. At the center of the Competition Area shall be the octagonal-shape Contest Area. The Contest Area shall measure approximately 8m in diameter, and each side of the octagon shall have a length of approximately 3.3m. A 60 cm wide line called alert line shall be put in measured from the 8 x 8 meter boundary line towards the center. Between the outer line of the Competition Area and the boundary line of the Contest Area is the Safety Area. The Contest Area and the Safety Area shall be different colors, as specified in the relevant competition's Technical Manual.
- 3.1.2 **Square shape**
The Competition Area is comprised of a Contest Area and a Safety Area. The square shape Contest Area shall be 8m x 8m including a 60cm boundary line. Surrounding the Contest Area, approximately equidistant on all sides, shall be the Safety Area (which envelopes the Contest Area and the Safety Area) shall be no smaller than 10m x 10m and no larger than 12m x 12m. If the Competition Area is on a platform, the Safety Area can be increased as needed to ensure the safety of contestants. The Contest Area may be different colours, as specified in the relevant competition's Operational Manual.
- 3.2 **Indications of positions**
- 3.2.1 The outer line of the Contest Area shall be called the Boundary Line(s) and the outer line of the Competition Area shall be called the Outer Line(s).
- 3.2.2 The front outer line adjacent to the Recorder's Desk shall be called Outer Line #1, and Clockwise from Outer Line #1, the other lines shall be called Outer Lines #2, #3, and #4. The Boundary Line adjacent to the Outer Line #1 shall be called Boundary Line #1 and clockwise from Boundary Line #1, the other lines shall be called Boundary Lines #2, #3, and #4. In case of Octagonal Shape Contest Area, The Boundary Line adjacent to the Outer Line #1 shall be called Boundary Line #1 and clockwise from Boundary Line #1, the other lines shall be called Boundary Lines #2, #3, #4, #5, #6, #7, and #8.

- 3.2.3 Positions of Referee and Contestant at the beginning and end of the Contest: The position of the Contestants shall be at the two opposing points, 1m from the center point of the Contest Area parallel to Outer Line #1. The Referee shall be positioned at a point 1.5m from the center of the Contest Area toward the Outer Line #3.
- 3.2.4 Positions of Judges: The position of the 1st Judge shall be located at a point in minimum 2m center of boundary line #1 and the 2nd Judge shall be located at a point in minimum 2m from the center of the boundary line #5. The positions of Judges may be altered to facilitate media, broadcasting and/or sports presentation. In the case of a three (3) judge setting, the position of the 1st judge shall be located at a point in minimum 2m from the corner of the boundary line #2. The position of the 2nd judge shall be located at a point in minimum 2m outward from the center of boundary line #5. The position of the 3rd judge shall be located at a point in minimum 2m from the corner of the boundary line #8.
- 3.2.5 Position of Recorder & IVR: Position of Recorder & IVR shall be located at a point 2m from the Outer Line #1. Position of Recorder may be altered to accommodate the environment of the venue and requirements from media broadcasting and/or sports presentation.
- 3.2.6 Positions of Coaches: The position of the Coaches shall be marked at a point 1m or more from the center point of the Outer Line of each contestant's side, in general. Position of the coaches may be altered to accommodate the environment of the venue and requirements from media broadcasting and/or sports presentation.
- 3.2.7 Position of Inspection desk: The position of the Inspection Desk shall be near the entrance of the Field of Play (FOP) for the inspection of the contestants' protective equipment.
-

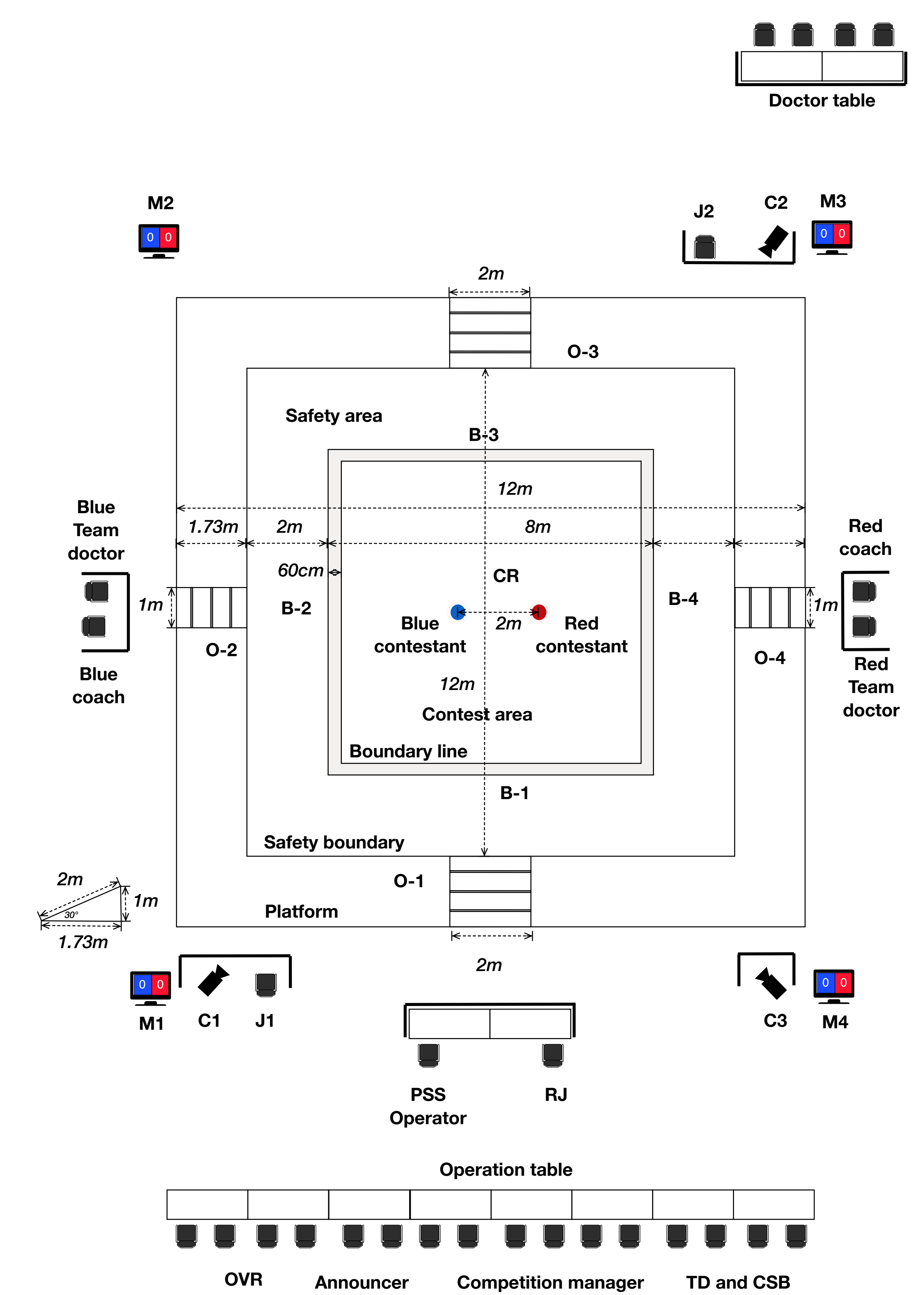
Octogonal mat on platform



Octogonal mat on floor



Square mat on platform



Glossary:

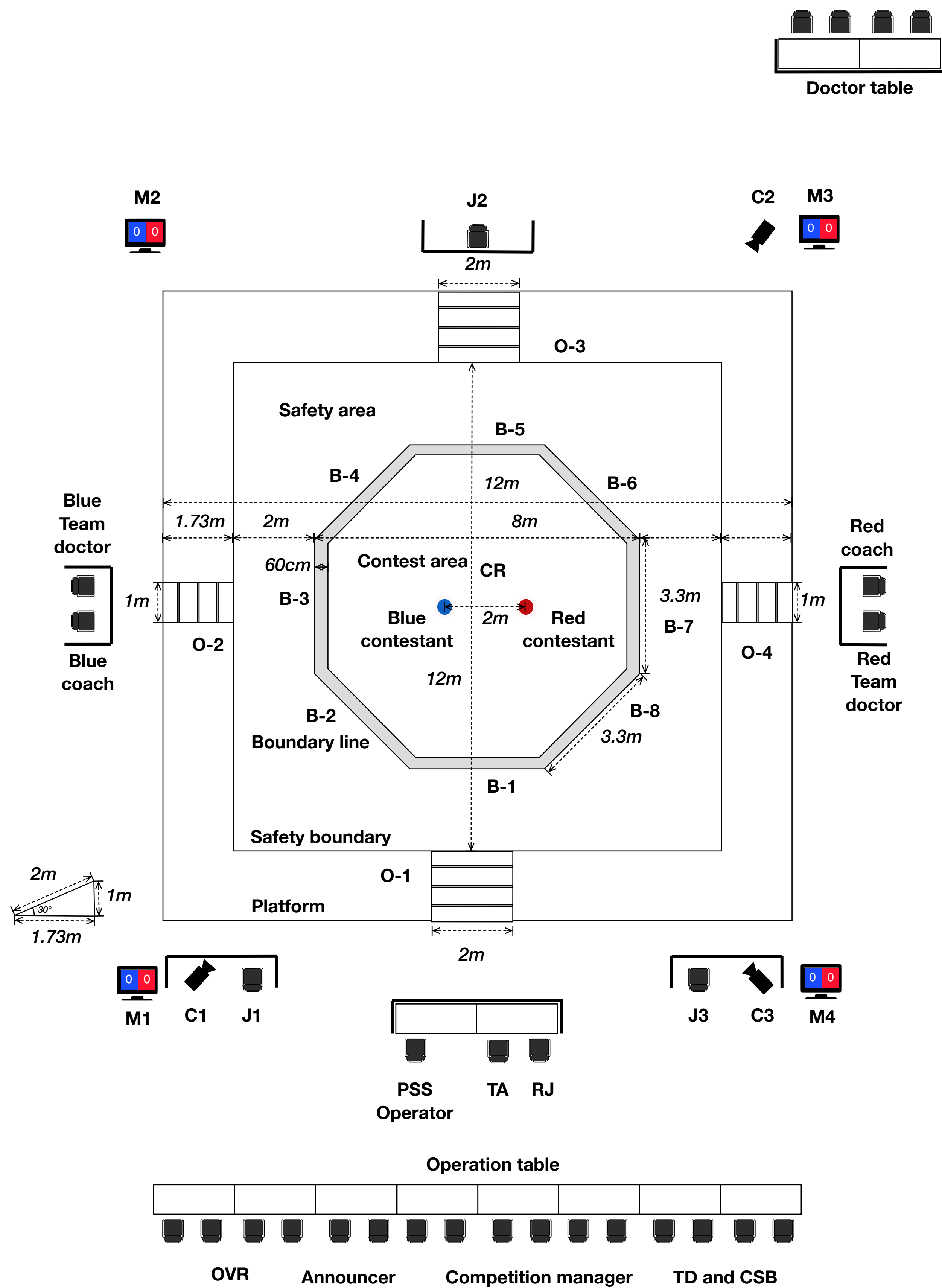
TD: Technical Delegate
 CSB: Competition Supervisory Board
 OVR: On Venue Result

CR: Center Referee
 J1 - J2 - J3 : Corner judge 1, 2 and 3
 RJ: Review Jury

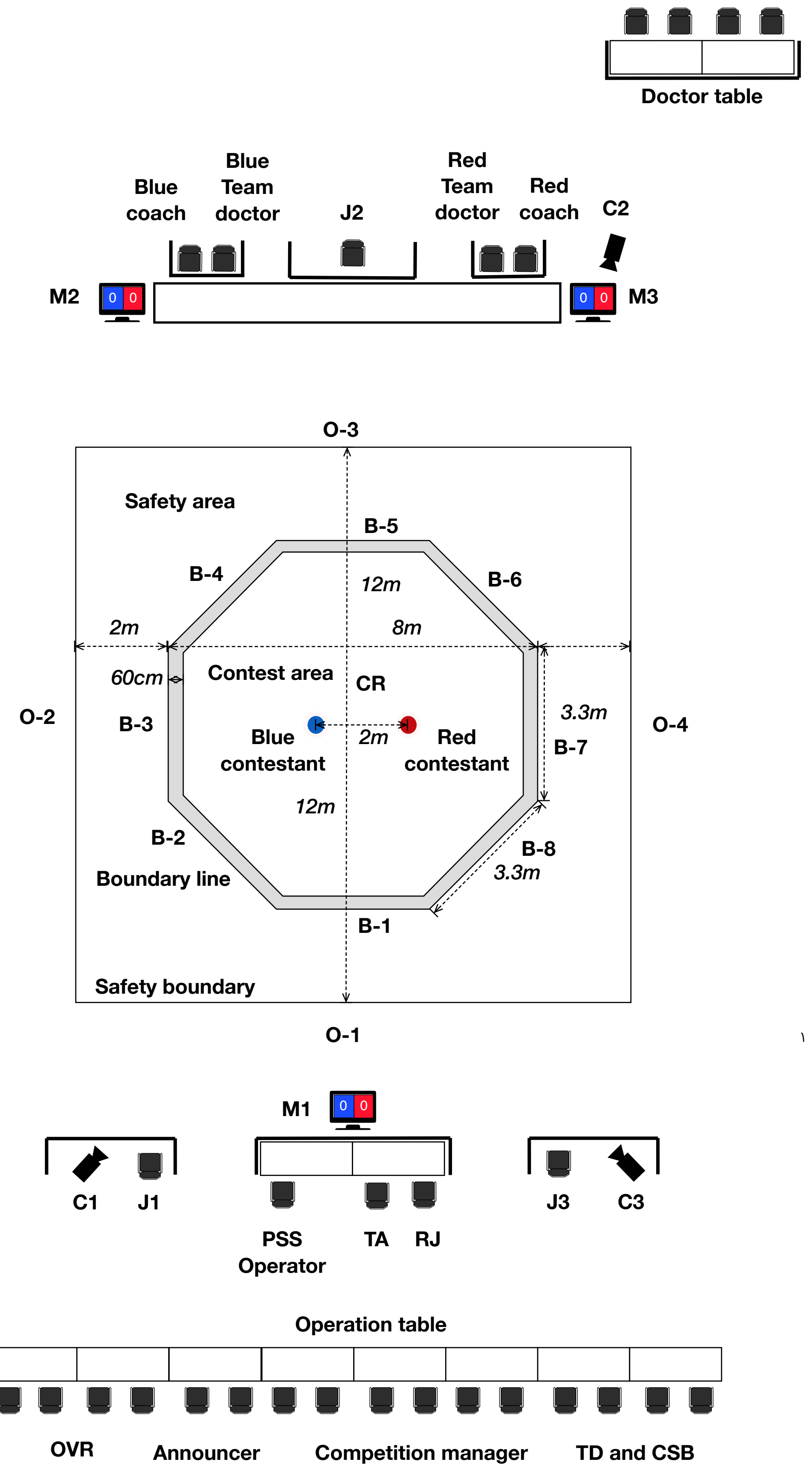
C1 - C2 - C3 : Camera 1, 2 and 3
 O-1: Outer line 1
 B-1: Boundary line 1

M1 - M2 - M3 : Scoreboard monitor 1, 2, 3 and 4

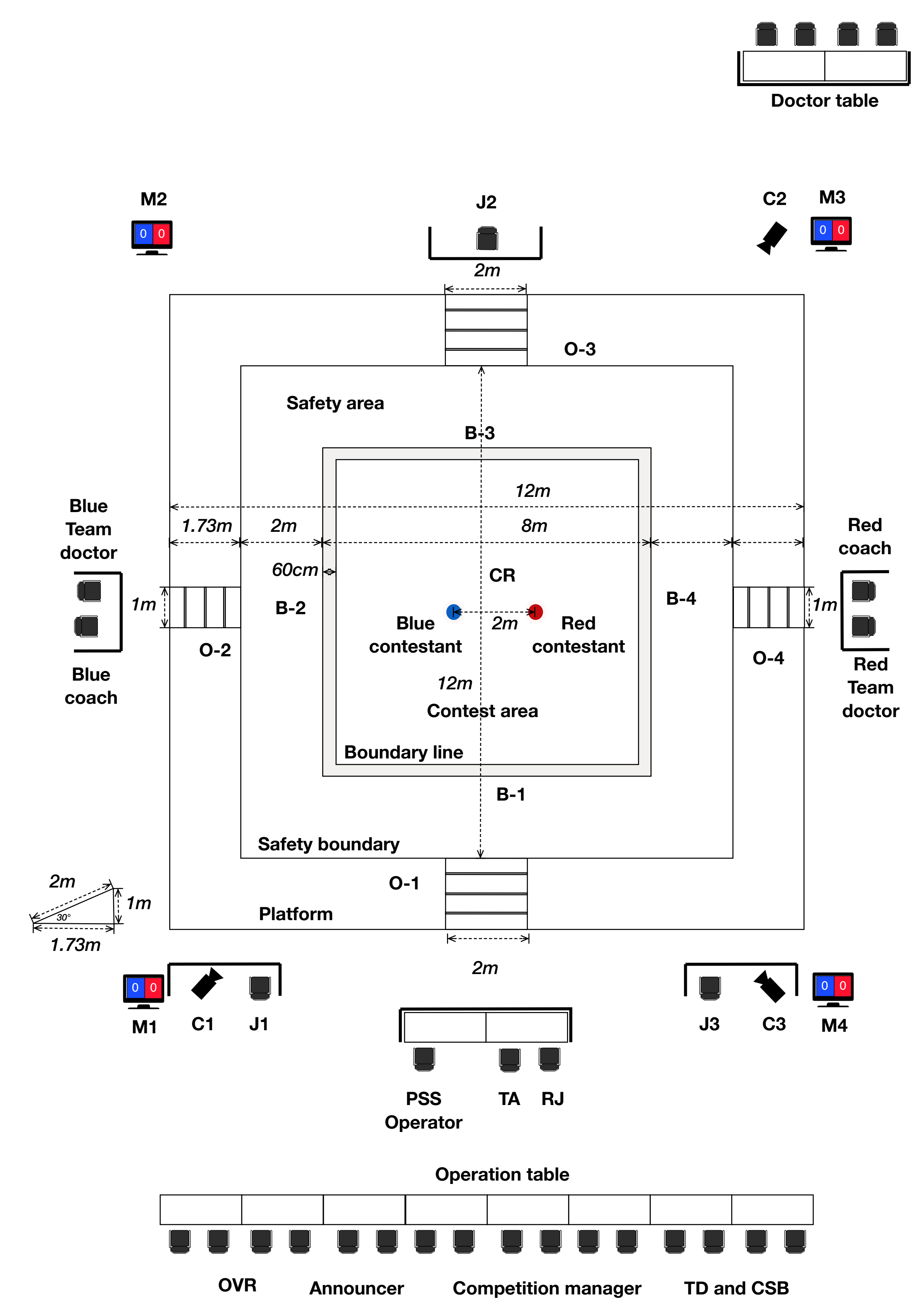
Octogonal mat on platform



Octogonal mat on floor



Square mat on platform



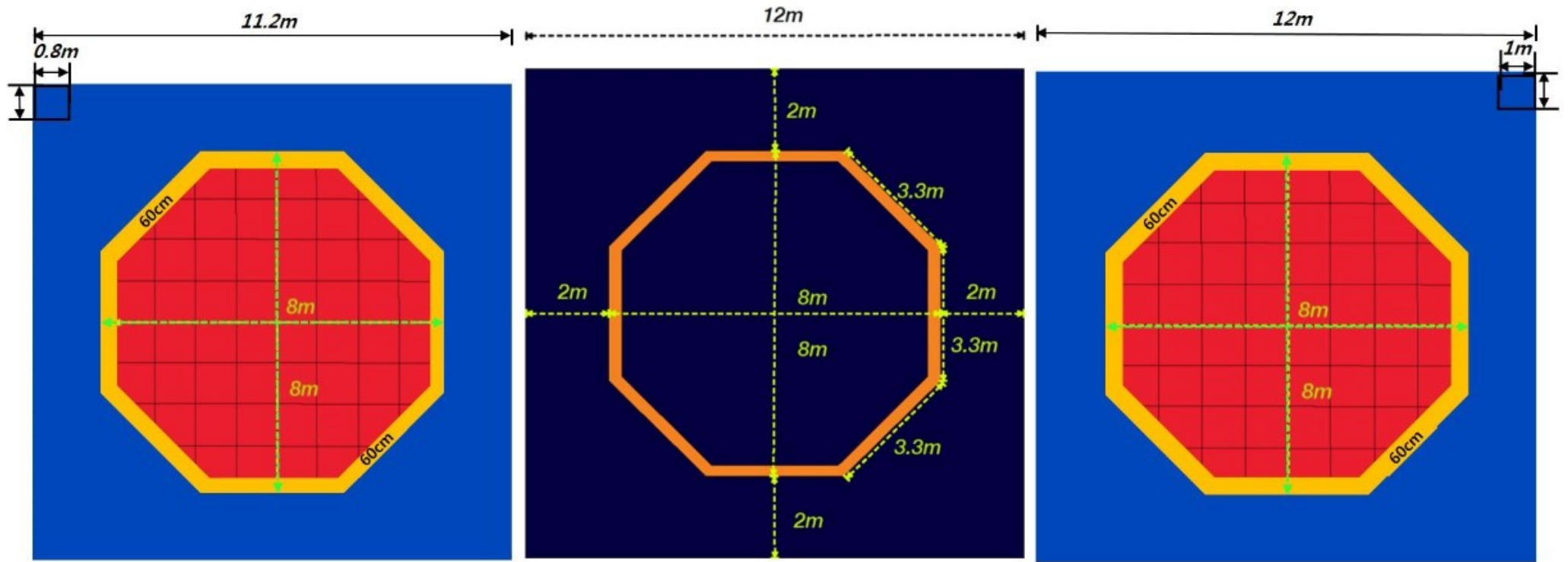
Glossary:

TD: Technical Delegate
 CSB: Competition Supervisory Board
 OVR: On Venue Result

CR: Center Referee
 J1 - J2 - J3: Corner judge 1, 2 and 3
 RJ: Review Jury

C1 - C2 - C3: Camera 1, 2 and 3
 O-1: Outer line 1
 B-1: Boundary line 1

M1 - M2 - M3: Scoreboard monitor 1, 2, 3 and 4
 TA: Technical Assistant



Octagonal mat (puzzle 0.8m)

Octagonal roll mat

Octagonal mat (puzzle 1.0m)

(Interpretation #3.1)

Elastic mat: The degree of elasticity and slipperiness of the mat must be approved by WT before the competition.

(Interpretation #3.1)

Color: The color scheme of the mat's surface must avoid giving a harsh reflection, or tiring the contestant's or spectator's eyesight. The color scheme must also be appropriately contested to the contestant's equipment, uniform and the surface of the Contest Area.

(Interpretation #3.2.7)

Inspection Desk: At the Inspection desk, the inspector checks if all the materials worn by the contestant are approved by WT and fit the contestant properly. In case they are found to be inappropriate, the contestant is requested to change the protective equipment. Accreditation for athlete, coach and physician will also be checked.

Article 4:

Contestant

4.1 Qualification of Contestant

4.1.1 Holder of Nationality of the participating team

4.1.1.1 Athletes with a refugee status issued by either governmental authorities in the country of residence or the UNHCR may be entered into tournaments and championships under WT flag based on prior approval from WT

4.1.2 An athlete recommended by a WT recognized Member National Association

4.1.3 Holder of a WT Para Taekwondo Dan or WT issued and recognized 5-1 Geup

4.1.4 Holder of a WT Global Athlete Licence (GAL)

4.1.5 Contestant shall be at least 16 years old in the year of the pertinent tournament

4.1.6 Athlete must go through International Classification in accordance with the WT Athlete Classification Rules and be assigned a Sport Class and Sport Class Status prior to the tournament. Athletes found Not Eligible (NE) or with a Classification Not Complete (CNC) will not be able to compete.

4.2 Contestant uniform and competition equipment

4.2.1 At the Para Taekwondo competitions listed in the WT Event Calendar, contestant uniform or dobok, head protector with face shield, and all competition equipment such as, but not limited to, mats, Protector and Scoring System (PSS), Instant Video Replay (IVR) and protective equipment must be those ones approved by WT.

4.2.1.1 Specifications of dobok or competition uniform shall be set forth separately.

4.2.2 A contestant shall wear a WT approved uniform or dobok, groin guard, shin guards, forearm guards, hand protector (if applicable), sensor socks and mouth guard before entering the Field of Play (FOP).

4.2.2.1 Para Taekwondo athletes may use additional and personalized protective equipment based on the prior approval of WT. Amputee athletes may cover the end of their residual limb with protective equipment no thicker than two (2) cm. In the case it is not fully specified in the rules the technical delegate will make the decision for the use of the protective equipment at the pertinent tournament.

4.2.2.2 Taping of feet, hands, arms, knees, legs etc. is permitted but will be checked

World Para Taekwondo Competition Rules | April 29, 2022

during the athlete inspection process. The International Referee doing the inspection may request approval of the competition's commissioned Doctor for excessive taping. Athletes need to take off taping at the weigh-in so that the weigh-in official can see if there is any open wound, cut or bleeding.

- 4.2.3 The contestant is responsible for supplying their own WT approved protective equipment. The groin, forearm and shin guards shall be worn beneath the Taekwondo dobok. Sensor socks, hand protector and mouth guard shall also be supplied by the athlete.
 - 4.2.3.1 A list of WT approved protective equipment can be found on the WT website.
 - 4.2.3.2 Religious items may be worn under the head protector and inside the uniform and shall not obstruct the opposing contestant nor pose any safety issues.
 - 4.2.3.3 The Taekwondo uniform (dobok) sleeves for the K40 classes shall be cut and sewn not to provide additional coverage of sensors, restrict the movement of the athlete nor have a negative effect on the esthetic presentation of the sport.
- 4.2.4 WT recognized competition equipment to be provided by the competition Organizing Committee (OC) at its own expenses and related technicians for installation and operation.
 - 4.2.4.1 Trunk Protector and Scoring System (PSS) and PSS-related equipment such as chest protector (Hogu)
 - 4.2.4.1.1 In the case of G-6 World ranking tournaments and above the choice of PSS company shall be decided by WT.
 - 4.2.4.1.2 The Technical Delegate has the right to decide if an athlete should use a bigger or smaller trunk protector than prescribed.
 - 4.2.4.1.3 Athletes shall wear their hogu with their arms outside for safety reasons
 - 4.2.4.2 Mats
 - 4.2.4.3 Head protector with face shield
 - 4.2.4.4 Instant Video Replay (IVR) system and its related equipment including, but not limited to, cameras, cables, software etc. 4D replay system should be

used for G14 grade events and the G20 Paralympic Games.

4.2.4.4.1 A minimum of two cameras per court shall be used.

4.2.5.5 Scoreboards at the Competition Area (for display of scoring; minimum 2 per court)

4.2.5.6 Real Time Display System (RTDS) at athlete calling area and warm up area

4.2.5.7 Real Time Referee Calling System (RTRCS) at referee lounge or waiting area.

4.2.5.8 Additional equipment and requirements not prescribed in this article, if any, shall be described in the WT Para Taekwondo Technical Manual.

4.3 Training Area

The Organizing Committee of a WT recognized Para Taekwondo tournament or promoted championships shall be responsible to prepare an appropriately sized training area based on the number of athletes. The Training Area shall also be equipped with:

4.3.1 Mats

4.3.2 Emergency equipment as stated in the WT Medical Code.

4.3.3 Ice in appropriate containers

4.3.4 Stationary Bicycle (promoted)

4.3.5 Running machine (promoted)

4.3.6 Refrigerator (promoted)

4.3.7 Bottled water (promoted)

4.3.8 It is the responsibility of the Organizing Committee to obtain approval from WT on the number of the equipment prepared.

4.4 Anti-Doping

4.4.1 In all Para Taekwondo events promoted or sanctioned by WT any use or administration of drugs or chemical substances described in the WT Anti-Doping Rules and the WADA list of prohibited substances is prohibited. The WADA Anti-Doping Code shall be applied to the Para Taekwondo competitions of the Paralympic Games and other multi-sport Games featuring Para Taekwondo kyorugi.

- 4.4.2 WT may carry out any doping tests deemed necessary to ascertain if a contestant has committed a breach of this rule, and any winner who refuses to undergo this testing or who proves to have committed such a breach shall be removed from the final standings, and the record shall be transferred to the contestant next in line in the competition standings.
- 4.4.3 The Organizing Committee shall be responsible for making all necessary preparations for conducting doping tests.

(Interpretation #4.1)

Article 4.1 Qualification of contestant shall be applied at WT promoted championships, CU promoted championships, multi-sport games, and approved event(s) of WT recognized international open taekwondo tournaments.

(Interpretation #4.1.1)

Holder of the nationality of the participating team:

When a contestant is a representative of a national team, his/her nationality is decided by citizenship of the country he/she is representing before submission of the application to participate. Verification of citizenship is done by inspection of the passport.

A competitor who is a national of two or more countries at the same time may represent either one of them, as he/she may elect. However, in case of changing nationality, he/she is allowed to represent another country only if thirty-six (36) months have passed since competitor represented a country in such events:

- i) Paralympic Games
- ii) Qualification Tournaments for Paralympic Games
- iii) Four (4) year cycle continental multi sport Games
- iv) Represented a national team at a World Para Taekwondo Ranking event

This period may be reduced or even cancelled, with the agreement of the MNAs, the NPC and the WT. WT may take disciplinary actions at any time against the athlete and his member national association that violates this article including but not limited to deprivation of the achievements. In case of an athlete aged 16 or less, this article shall not be applied unless there is an appeal from any of the two countries. In case of dispute, WT shall make an evaluation and make a final decision. After the decision, no further appeal shall be acceptable.

Article 4.1.1 shall not be applied to open tournaments with a G-2 World rank or lower.

(Interpretation #4.1.1.1)

Athletes with a refugee status to a country that has a WT recognized MNA may attain a GAL and enter Para Taekwondo competitions under the flag of WT. The MNA that provided the GAL is responsible for ensuring that the athlete is not pregnant and that the athlete has been given medical exams that show them to be of adequate health and fitness to participate. Also each MNA assumes full responsibilities for accident and health insurance as well as the civil liabilities for the refugee

athlete. This is part of WT's ongoing commitment to providing all athletes with a pathway to international competition.

(Interpretation #4.1.2)

One recommended by a WT National Taekwondo Association: Each National Federation is responsible to ensure that all team members have been given medical exams that show them to be of adequate health and fitness to participate. As well as control of gender and non-pregnancy. Also each National Federation assumes full responsibilities for accident and health insurance as well as the civil liabilities for their contestants and officials during a WT-promoted championships.

Article 4.1.2 shall not be applied to open tournaments with a G-2 World rank or lower.

(Interpretation #4.1.5)

The age limit is based on the year, not on the date. For instance, if the World Para Taekwondo Championships are held on September 16, 2015, those contestants born on and before December 31, 1999 are eligible to participate.

(Interpretation #4.3.2)

The color of the mouth guard is limited to white or transparent. However, obligation to use mouth guard may be exempted upon submission of the medical Doctor's diagnosis stating that use of mouth guard may cause harm to the contestant.

(Interpretation #4.2.5.3)

Head protector: Only blue and red color of head protector shall be permitted.

Article 5:

Weight categories and Sport Classes

5.1 Weight divisions are divided into male and female categories as follows:

Men's categories		Women's categories	
-58 kg	Not exceeding 58 kg	-47 kg	Not exceeding 47 kg
-63 kg	Not exceeding 63 kg	-52 kg	Not exceeding 52 kg
-70 kg	Not exceeding 70 kg	-57 kg	Not exceeding 57 kg
-80 kg	Not exceeding 80 kg	-65 kg	Not exceeding 65 kg
+80kg	Over 80 kg	+65 kg	Over 65 kg

5.2 Sport Classes

In Para Taekwondo Kyorugi the sport classes are as follows:

Men's Sport Classes	Women's Sport Classes
K41	K41
K44	K44

5.2.1 In the case an athlete is the sole entry in his/her division a demonstration match may be arranged with a Taekwondo athlete under WT Para Taekwondo Competition Rules for Athlete Classification purposes.

(Interpretation #5.1)

Not exceeding:

The weight limit is defined by the criterion of one decimal place away from the stated limit. For example, not exceeding 50kg is established as until 50.00 kg with 50.10 kg being over the limit and resulting in disqualification.

Over:

Over 50.00 kg marks occur at the 50.10 kg reading and 50.00 kg and below is regarded as insufficient, resulting in disqualification.

Article 6:

Competition system and method

- 6.1 Competitions are composed as follows:
- 6.1.1 Individual competition shall be held between contestants in the same Sport Class and Weight Category. No contestant shall participate in more than one (1) weight category in the same tournament.
 - 6.1.2 Team Standing is determined by the number and value of the medals earned by the individuals of a team.
 - 6.1.2.1 The team with the higher number of gold medals won
 - 6.1.2.2 In the case of a tie in gold medals won the rank shall be decided by:
 - 1. number of silver and bronze medals won by the team
 - 2. number of gold (then silver, then bronze) medal in the Sport Class and weight category with a greater number of participating contestants.
- 6.2 Systems of competition is divided as follows:
- 6.2.1 Single elimination tournament system
 - 6.2.2 Round robin system
 - 6.2.3 Single elimination tournament system with repechage
- 6.3 Para Taekwondo Competitions of the Paralympic Games and four (4) year cycle continental multisport Games may use single elimination tournament system or single elimination tournament system with repechage.
- 6.4 All international Para Taekwondo competitions recognized by WT shall be formed with participation of no less than three (3) countries. Official results from Para Taekwondo competitions with less than less than three (3) countries participating shall not be recognized by WT. Any sport class and weight category with less than three (3) athletes from two (2) countries shall not be recognized in the official results.

Article 7:

Duration of Contest

- 7.1 The duration of contest shall be one round of five (5) minutes with one-minute timeout for each athlete. In the case of a tied score after the completion of the five (5) minute round, round of one (1) minute will be conducted as the Golden round, after a one (1) minute rest period. No timeout can be taken during the Golden Round.
- 7.1.1 Each coach will be allowed to call for one (1) one-minute timeout at any time during the one round contest.
- 7.2 The duration of contest may be adjusted to four (4) minutes or three (3) minutes upon the decision of the Technical Delegate for the pertinent Championships.
- 7.3 Three round duration of contest
- 7.3.1 The duration of contest shall be three (3) rounds of two (2) minutes each, with a one-minute rest period between rounds. In case of a tied score after the completion of the 3rd round, a 4th round will be conducted as the Golden Round, after a one-minute rest period following the 3rd round.
- 7.3.1.1 In the best of three system, the duration of the contest shall be three (3) rounds of two (2) minutes with a one-minute rest period between rounds. However, a 4th round of one minute will not be conducted as the Golden Round. In case of a tie score for corresponding round, the round winner shall be decided by article 16.
- 7.3.2 The duration of each round may be adjusted to 1 minute x 3 rounds, 1 minute 30 seconds x 3 rounds, 2 minutes x 2 rounds upon the decision of the Technical Delegate for the pertinent championships.

(Interpretation #7.1.1)

Coaches may call for a time out at any time during the one round duration of contest. Time out cannot be called during a golden round.

The one-minute time out shall be counted from the time the referee gives the command “Kal-yeo”

Article 8:

Drawing of lots

- 8.1 The registration deadline and the date of the drawing of lots shall be set forth in the outline for the tournament or championships. At least one representative from each team must attend the drawing of lots. Each participating team must confirm their entries before the drawing of lots. In the case no team representative can be at the drawing of lots the team must designate a proxy and inform WT Para Taekwondo.
- 8.2 The drawing of lots should be conducted by random computerized drawing in general. In the case this is not available the method and order of drawing shall be determined by the Technical Delegate.
- 8.3 The number of contestants seeded is set forth in the WT World Para Taekwondo Ranking Bylaw and in the outline of the tournament.

Article 9:

International Athlete Classification

- 9.1 International Athlete Classification takes place in connection with WT recognized para taekwondo tournaments and championships and is held in general one (1) to two (2) days prior to the start of competition.
- 9.2 NEW (N) athletes that has previously not gone through International Athlete Classification are required to go through classification and be assigned a Sport Class and a Sport Class Status prior to the competition in accordance with the WT Athlete Classification Rules;
- 9.2.1 Medical Diagnostic Form
All NEW (N) Para Taekwondo Athletes are required to complete and submit a Medical Diagnostic Form (MDF) prior to competition so that it can be determined that the athlete will meet the Minimum Impairment Criteria (MIC) for participation in the Kyorugi “K” Sport Classes.
- 9.2.2 Not Eligible (NE) and Classification Not Complete (CNC)
Athletes that go through International Athlete Classification and are found Not Eligible (NE) or get assigned a Classification Not Complete (CNC) will not be able to compete in Para Taekwondo Kyorugi.
- 9.3 First appearance
In the case an athlete's sport class is changed following the athlete's first appearance in competition following International Athlete Classification the following shall apply for the results:
- 9.3.1 Change to higher sport class
If an athlete's sports class changes to a higher sport class after the first appearance event, then it appears that the athlete's activity limitation was less severe than that of his/her competitors. This is an unfair advantage and the athlete's results in the initial sport class shall not be recognized. This includes change to sport class Not Eligible (NE)
- 9.3.2 Change to lower sport class
If an athlete's sport class change to a lower sport class after the first appearance event, then the athlete's activity limitation appears more severe than that of his/her competitors. In this situation the athlete's competitors had an advantage in the event. As the athlete has been disadvantaged results and medals earned will be still be recognized and awarded. No World Para Taekwondo Ranking points will be awarded for the tournament.

(Interpretation #9.3.1)

The athlete who has been classified in a lower sport class but is changed to a higher sport class



following first appearance, shall not continue competition and shall be given the ranking points of the higher sport class as the loser of a first round of contests. The loser of the contest against the athlete who had a change in sport class after first appearance shall go on to the next round.

In the case of Not Eligible (NE) no ranking points will be given.

Article 10:

Weigh-in

- 10.1 Weigh-in of the contestants shall be completed on the day prior to the competition of the pertinent Sport Class and Weight Division.
- 10.1.1 All athletes that weigh-in shall be in accordance with article 4.1.1 and 4.1.4
- 10.2 Weigh-in for WT recognized Para Taekwondo events shall be conducted by WT Certified International Referees (IRs). Male athletes shall be weighed-in by Male IRs and Female athletes shall be weighed-in by Female IRs. Two separate rooms shall be allocated for the weigh-in, one (1) for Male athletes and one (1) for Female athletes.
- 10.2.1 The weigh-in shall be conducted by two (2) male and two (2) female IRs respectively
- 10.2.2 In the case the athlete is under the age of 18 years old the coach of the athlete is permitted to enter the weigh-in room, female coach for female athletes and male coach for male athletes.
- 10.3 During weigh-in, the male contestant shall wear underpants and the female contestant shall wear underpants and a brassiere. Underwear will be counted as 100g and deducted from the weight.
- 10.4 Weigh-in shall be made once, however, one more weigh-in is granted within the time limit to any contestant who did not qualify the first time.
- 10.4.1 Weigh-in shall be conducted over two hours in general. The Technical Delegate for has the authority to prolong the duration of weigh-in, if necessary.
- 10.5 Disqualification during official weigh-in
When a contestant does not meet the weight during the official weigh-in for the weight division they registered in for the tournament or championships the contestant shall be disqualified.
- 10.6 So as not to be disqualified during official weigh-in, scales identical to the official one shall be provided at the contestants' place of accommodation or training or at the arena for test-weigh-in.
- 10.7 Random weight control
WT may conduct random weight control of athletes on the day of competition. 5-50% of athletes in a weight category may be selected for random weigh-in. Athletes that have a weight increase of more than 3% above the weight division where they weighed-in will be disqualified. Random weight control shall be made in only one attempt per contestant, there will be no second try. "Over" weight categories are not subject to random weigh-in.

(Interpretation #10.1)

Weigh-in will be conducted the day before the day when a Sport Class and weight division is scheduled for competition by the Organizing Committee or WT.

(Interpretation #10.5)

Disqualification during official weigh-in:

When a contestant is disqualified at the official weigh-in, the contestant's participation point shall not be awarded. If a contestant cheats the process of weigh-in, the contestant shall be disqualified by decision of technical delegate in consultation with weigh-in official

(Interpretation #10.6)

Scales, identical to the official one:

The practice scale must be of the same type and calibrations as that of the official scale and these facts must be verified prior to the competition by the Organizing Committee.

Article 11:

Procedure of contest

- 11.1 Call for contestants:
The name of the athletes shall be announced at the Athlete Calling Desk three (3) times beginning thirty (30) minutes prior to the scheduled start of the contest. If an athlete fails to report to the Desk following the third call, the athlete shall be disqualified, and this disqualification shall be announced.
- 11.2 Inspection of body, uniform and equipment:
After being called, the athletes shall undergo inspection of body, uniform and equipment at the designated inspection desk. The inspection shall be performed by the International Referees designated by WT. The athlete shall not show any signs of aversion and shall also not wear any materials which may cause harm to the opponent.
- 11.3 Entering the Competition Area:
After inspection, the athlete shall proceed to the Coach's area with one coach and one team doctor or a physiotherapist, if any.
- 11.4 Procedure before the Beginning and after the End of the Contest
- 11.4.1 The center referee shall call "Chung, Hong." Both athletes shall enter the contest area wearing their head protector and mouth guard.
- 11.4.2 The athletes shall face each other and make a standing bow at the referee's command of "Charyeot (attention)" and "Kyeong-rye (bow)". A standing bow shall be made from the natural standing posture of "Cha-ryeot" by bending the waist at an angle of more than 30 degrees with the head inclined to an angle of more than 45 degree.
- 11.4.3 The referee shall start the contest by commanding "Joon-bi (ready)" and "Shi-jak (start)".
- 11.4.4 The contest shall begin with the declaration of "Shi-jak (start)" by the referee and shall end with the declaration of "Keu-man (stop)" by the referee. Even if the referee has not declared "Keu-man", the contest shall be regarded as having ended when the contest clock expires. Gam-jeom may be given after the contest clock expires.
- 11.4.5 The referee shall declare the winner by raising his/her own hand to the winner's side.
- 11.4.6 Retirement of the Contestants

(Interpretation #11.2)

In the case of using PSS, the referee shall check if the PSS system and sensing socks worn by both



athletes are properly working. This process, however, may be deleted to save time for speedy competition management.

(Interpretation #11.3)

At the time of submission of entry for team officials, copies of relevant and appropriate licenses of team doctor or physiotherapist written in English shall be submitted by the WT Member National Association. After verification, special accreditation cards shall be issued to those team doctors or physiotherapists. Only those who have obtained proper accreditation shall be allowed to proceed to Competition area with coach.

(Interpretation #11.4.1)

Center Referee shall check that athlete is using mouth guard

(Interpretation #11.4.4)

In the case there is a prohibited act from an athlete in the final seconds of a contest the referee may give a Gam-jeom even though the clock has expired.

Article 12

Techniques and areas

In Para Taekwondo kyorugi all techniques to the head has been prohibited to ensure the safety of the athletes.

12.1 Permitted techniques

12.1.1 Fist technique: A straight punching technique using the knuckle part of a tightly clenched fist

12.1.2 Foot technique: Delivering techniques using any part of the foot below the ankle bone

12.2 Permitted areas

12.2.1 Trunk: Attack by fist and foot techniques on the areas covered by the trunk protector are permitted. However, such attacks shall not be made on the spine.

12.3 Prohibited areas

12.3.1 Head: the area above the collar bone is a prohibited area.

12.4 Scoring and non-scoring techniques

12.4.1 Foot technique: Delivering techniques using any part of the foot below the ankle bone

12.4.2 Fist techniques shall **not** be scored.

(Interpretation #12.1.1 & 12.5.2)

Fist techniques are permitted but is not scoring techniques.

(Interpretation #12.2)

Using a prohibited technique is a prohibited act.

(Interpretation #12.4)

The head is a prohibited area for permitted techniques.

Article 13

Valid points

13.1 Scoring Areas

13.1.1 Trunk: The blue or red colored area of the trunk protector

13.2 Criteria for valid point(s):

13.2.1 Point(s) shall be awarded when a scoring technique is delivered to the scoring areas of the trunk with power and accuracy.

13.2.2 When Protector and Scoring System (PSS) is used determination of the *validity* of the technique, level of impact and valid contact to the scoring area shall be determined by the PSS.

13.2.2.1 These PSS determinations shall not be subject to Instant Video Replay (IVR) except in the case of points scored in connection with prohibited acts as described in art. 15.5.

13.2.3 The WT Para Taekwondo Committee shall determine the required level of impact and sensitivity (hit level) of the PSS, using different scales and in competition observation and evaluation in consideration of weight category, gender and Sport Class.

13.2.3.1 The hit level shall be communicated in the outline for the tournament and be announced at the Head of Team meeting.

13.2.3.2 The Technical Delegate may recalibrate the valid level of impact in the case that the hit level has not been thoroughly tested.

13.3 The valid point(s) are as follows:

13.3.1 Two (2) points for a valid foot technique to the trunk protector

13.3.2 Three (3) points for a valid turning foot technique to the trunk protector

13.3.3 Four (4) points awarded for a valid spinning technique to the trunk protector

13.3.4 One (1) point awarded for every one Gam-jeom given to the opponent

13.4 Contest score shall be the sum the final score at the end of the match.

13.5 Invalidation of point(s): When a contestant records points through prohibited act(s):

13.5.1 If the point(s) is scored through prohibited act the referee shall immediately invalidate the point and declare a penalty.

13.5.2 If the point(s) is scored before a prohibited act the validated point remains and the referee shall immediately give a penalty.

(Interpretation #13.3.2)

A turning foot technique refers to the back kick or "dwit chagi" to the body. In the case of PSS two (2) points will be validated by the PSS and one (1) technical point will be added by the judges.

(Interpretation #13.3.3)

A spinning foot technique refers to the spinning kick to the body "dolgae chagi". The technique shall be performed in one continuous motion. In the case of PSS two (2) points will be validated by the PSS and two (2) technical points will be added by the judges.

Article 14

Scoring and publication

- 14.1 Scoring of valid point(s) shall be determined by the Protector and Scoring Systems (PSS). Technical points awarded for turning foot technique shall be scored by judges using manual scoring devices.
- 14.1.1 If PSS (Protector & Scoring System) is not used, all scoring shall be determined by judges using manual scoring devices.
- 14.2 The additional one (1) technical point given for a turning technique or additional two (2) points for a spinning technique to the permitted area shall be invalidated if the turning or spinning technique was not scored as a valid point by PSS.
- 14.3 Under a two (2) corner judges setting, two judges shall be needed to confirm the one (1) technical point for a valid turning foot technique or the two (2) technical points for a valid spinning foot technique.
- 14.4 Under a three (3) corner judge setting, two or more judges shall be needed to confirm valid scoring.
- 14.5 Points shall be published automatically on the score boards immediately after validation.

(Interpretation #14.2)

In the case the PSS does not validate the turning foot technique no points will be awarded even if the judges press the technical button on the manual joystick for the additional one (1) technical point

Article 15

Prohibited acts and penalties

- 15.1 Penalties shall be declared by the referee.
- 15.2 Prohibited acts which are described in article 15.4 shall be penalized with:
- 15.2.1 "Gam-jeom" (deduction penalty).
- 15.3 A "Gam-jeom" shall be counted as one (1) additional point for the opposing contestant. All "Gam-jeom" shall be counted in the total score of the contest.
- 15.4 Prohibited acts
The following acts shall be classified as prohibited acts and "Gam-jeom" shall be declared;
- 15.4.1 Crossing the Boundary Line
- 15.4.2 Falling down
- 15.4.3 Avoiding or delaying the contest
- 15.4.4 Grabbing or pushing the opponent
- 15.4.5 Lifting the leg
- a) Lifting the leg to block
 - b) Kicking the opponent's leg to impede the opponent's kicking attack
 - c) Kick was aiming below the waist
 - d) Lifting the leg above waist for kicking in the air for three (3) times or more
 - e) Lifting a leg or kicking in the air for more than three (3) seconds to impede the opponent's potential attacking movements
- 15.4.6 Hitting below the waist
- 15.4.7 Attacking the opponent after "Kal-yeo"
- 15.4.8 Hitting the opponent's head with the hand
- 15.4.9 Dangerous play
- 15.4.10 Unsafe play
- 15.4.11 Butting or hitting with the knee
- 15.4.12 Attacking the fallen opponent

15.4.13 Misconduct of contestant or coach or team doctor/physician

- a) Not complying with the referee's command or decision
- b) Inappropriate protesting behavior to officials' decision
- c) Provoking or insulting the opposing contestant or coach
- d) Unaccredited doctor/physicians or other team officials found to be seated in the doctor's position
- e) Any other severe misconduct or unsportsmanlike behavior from a contestant or coach

15.4.14 Contacting the trunk PSS with the side or bottom of the foot having the knee pointed out in clinch position

- 15.5 When a coach or contestant commits severe misconduct including intentional dangerous play, and does not follow the referee's command the referee shall declare a penalty and a sanction request by raising a yellow card. In this case the Competition Supervisory Board shall investigate the coach's and/or athlete's behavior and determine whether a sanction is appropriate
- 15.6 If a contestant intentionally and repeatedly refuses to comply with the Competition Rules or the referee's orders, the referee may end the contest and declare the opposing contestant the winner.
- 15.7 If the referee at the Inspection desk or officials in the Field of Play determines, in consultation with the PSS technician, that a contestant or coach has attempted to manipulate the sensitivity of PSS sensor(s) and/or inappropriately alter the PSS so as to effect its performance, the contestant shall be disqualified.
- 15.8 When a contestant receives ten (10) "Gam-jeom", the referee shall declare the contestant loser by Referee's Punitive Declaration (PUN).
- 15.8.1 In the best of three (3) system, when a contestant receives five (5) "Gam-jeom" in a round, the opponent will be declared the winner of that round.
- 15.9 In article 15.8, "Gam-jeom" shall be counted in the total score of the three rounds.

(Interpretation #15)

Objectives in establishing the prohibited acts and penalties are as follows;

- (1) To secure the contestant's safety
- (2) To ensure fair play
- (3) To encourage permitted techniques
- (4) To ensure good sportsmanship

(Interpretation #15.4)

Prohibited acts "Gam-jeom"

15.4.1 Crossing the Boundary Line:

A "Gam-jeom" shall be declared when one foot of the contestant crosses the Boundary Line. No "Gam-jeom" will be declared if a contestant crosses the boundary line as a result of a prohibited act by the opponent.

15.4.2 Falling down:

"Gam-jeom" shall be declared for falling down. However, if a contestant falls down due to the opponent's prohibited acts; "Gam-jeom" penalty shall not be given to the fallen contestant, while a penalty shall be given to the opponent. If both contestants fall as a result of accidental collision, or in the case a contestant who received a point with turning or spinning technique falls down, no penalty shall be given.

When an athlete touches the mat with any other part of the body than the feet the athlete shall be considered as "Falling down".

15.4.3 Avoiding or delaying the contest:

- a) This act involves stalling with no intention of attacking. A contestant who continuously displays a non-engaging style shall be given a "Gam-jeom". If both contestants remain inactive after three (3) seconds, the center referee will signal the "Fight" command. A "Gam-jeom" will be declared: On both contestants if there is no activity from them three (3) after the command was given; or on the contestant who moved backwards from the original position three (3) after the command was given.
- b) Turning the back to avoid the opponent's attack should be punished as it expresses the lack of a spirit of fair play and may cause serious injury.
- c) Retreating from the technical engagement only to avoid the opponent's attack and to run out the clock, "Gam-jeom" shall be given to the passive contestant.
- d) 'Pretending injury' means exaggerating injury or indicating pain in a body part not subjected to a blow for the purpose of demonstrating the opponent's actions as a violation, and also exaggerating pain for the purpose of elapsing the contest time. In this case, the referee shall give a "Gam-jeom" penalty. Referee may request IVR for clarification before declaration of "Gam-jeom" for pretending injury.
- e) "Gam-jeom" shall also be given to the athlete who asks the referee to stop the contest in order to adjust the position/fit of protective equipment.
- f) "Gam-jeom" shall be given when contestant moves three (3) consecutive steps backward or

sideways without technical engagement.

- g) In the case an athlete adjusts his/her equipment taking focus from the contest, the referee shall immediately stop the contest by declaring "Kalyeo" and give a penalty ("Gam-jeom") to the athlete who is adjusting his/her equipment.
- h) In the case an athlete adjusts his/her equipment taking focus from the contest as the opponent delivers a permitted technique and hits the athlete. This shall not be considered as a prohibited act from the opponent. The penalty shall be given to the athlete for avoiding and/or delaying the contest.
- i) In a clinch situation when an athlete is pushing with the body against the opponent in order to avoid the contest while the opponent is actively trying to execute permitted techniques and resume the contest the athlete pushing with the body shall be given a penalty for Avoiding or delaying the contest.
- j) An athlete continuously seeking clinch in order to Avoid or delay the contest shall be penalized by "Gam-jeom"

15.4.4 Grabbing or pushing the opponent:

Grabbing is defined as grabbing hold of and then releasing any part of the opponent's body, uniform or protective equipment with the hands or arms. This also includes the act of grabbing the foot or leg or hooking the opponents leg with the forearm. In a clinch situation if an athlete's arm passes the "center vertical line" of the opponent, this shall be considered grabbing.

- a) Contestants should be separated following the referee's "fight" command in a clinch position, and if they fail to do so within three (3) seconds, "Gam-jeom" will be given to the passive contestant or both contestants. "Gam-jeom" will be given to the contestant who is grabbing, holding or crossing the vertical center line of the opponent's body with the arm in clinch position.

Pushing is defined as pushing the opponent with your hands, fists, shoulder or any part of the upper body. For pushing, it is permitted as a quick impact and a contestant must disengage from opponent after one push.

For pushing, the following acts shall be penalized

- a) pushing the opponent out of the Boundary Line;
- b) pushing the opponent in a way that prevents execution of a permitted technique or any normal execution of tactical movement
- c) pushing the opponent when he/she is not in clinch situation nor executing a permitted technique or any normal execution of tactical movement

- d) In clinch situation when both athletes push off the opponent and executes a permitted technique, no penalties shall be given
- e) In a clinch situation when an athlete is pushing with the body against the opponent in order to inhibit the opponent from executing techniques and resuming the contest the athlete pushing with the body shall be given a penalty for pushing. Even if the opponent is pushing the athlete with his arms.

15.4.5 Lifting the leg

Lifting the leg or cut kick motion shall not be penalized only when it is followed by execution of punching or kicking technique.

15.4.6 Hitting below the waist

This action applies to an attack on any part of the body below the waist. When an attack below the waist is caused by the recipient in the course of an exchange of techniques, no penalty shall be given. This article also applies to strong kicking or stamping actions to any part of the thigh, knee or shin for the purpose of interfering with the opponent's technique.

15.4.7 Attacking the opponent after "Kal-yeo"

- a) Execution of technique after Kal-yeo that results in actual contact to the opponent.
- b) If the execution of the permitted technique started before the Kal-yeo, the attack shall not be penalized.
- c) In Instant Video Replay (IVR) review, the timing of Kal-yeo shall be defined as the moment that the referee's Kal-yeo hand signal was completed (with a fully extended arm); and the start the foot technique shall be defined as the moment that the foot executing the technique is fully off the floor. In the case of a fist technique the technique should be considered started when the fist starts its motion towards the opponent.
- d) If a technique after Kal-yeo did not land on the opponent's body but appeared deliberate and malicious the referee may penalized the behavior with a "Gam-jeom".

15.4.8 Hitting the opponent's head with the hand

This article includes hitting the opponent's head with the hand (fist), wrist, arm or elbow. However, unavoidable actions due to the opponent's carelessness such as excessively lowering the head or carelessly turning the body cannot be punished by this article.

15.4.9 Dangerous play

Dangerous play includes hitting the opponent's head with the hand (fist), arm, elbow or any part of the body including the permitted techniques listed in Article 12.1. Unintentional/Accidental Dangerous play shall be penalized by "Gam-jeom". Repeated unintentional/accidental dangerous play, three (3) times, shall lead to the athlete being disqualified (DSQ).

Dangerous play due to unsafe play from the opponent cannot be penalized by this article. In the case of a hit to the head the Referee shall immediately suspend the contest in accordance with article 21.

In the case an athlete intentionally commits Dangerous play resulting in a hit to the head the referee shall ask for a video replay of the situation and then decide if the situation was intentional or unintentional/accidental.

Unintentional/Accidental Dangerous play is defined as:

- Hitting the hogu, shoulder etc. and technique slides up to hit the head due to the motion of the opponent.

Intentional Dangerous play is defined as:

- Clearly shown that athlete is aiming for and hitting the head with their technique
- Turning and spinning techniques hitting the head directly

15.4.10 Unsafe play

Unsafe play occurs when an athlete intentionally or unintentionally takes a stance, avoids the opponent's techniques or plays with a game tactic where the head becomes a target and increases the risk to be hit to the head. Blocking a technique in a way so it hits the athlete's head is also considered unsafe play. When there is a hit to the head the Referee shall ask for IVR to determine if the situation concerns unsafe or dangerous play, if he or she is uncertain.

15.4.11 Butting or attacking with the knee

This article relates to an intentional butting or attacking with the knee when in close proximity to the opponent. However, contact with the knee that occurs in the following situations cannot be punished by this article.

- When the opponent rushes in abruptly at the moment a kick is being executed
- Inadvertently, or as the result of a discrepancy in distance in attacking

15.4.12 Attacking the fallen opponent

This action is extremely dangerous due to the high probability of injury to the opponent. The danger arises from the following:

- The fallen opponent is in an immediate defenseless state
- The impact of any technique which strikes a fallen contestant will be greater due to the contestant's position.

These types of aggressive actions toward a fallen opponent are not in accordance with the spirit of Taekwondo and as such are not appropriate to Taekwondo competition.

15.4.13 Misconduct of contestant, coach or team doctor/physician

When misconduct is committed by a contestant or a coach before a contest or in the rest period, past the five (5) seconds of the round conclusion, the referee can immediately declare the penalty and the penalty shall be recorded in the next round's results. However, "Gam-jeom" shall be

recorded to the previous round if the action happened within five (5) seconds of the round conclusion.

Article 16

Golden round and decision of superiority

- 16.1 In the event the winner cannot be decided after the completion of the one five (5) minute round, a golden round of one (1) minute will be conducted.
- 16.1.1 For the three round competition system, in the event a winner cannot be decided after three (3) rounds a 4th one-minute round will be conducted.
- 16.2 In the one round duration of contest system advancing to a golden round, all scores awarded during the first five (5) minute round shall be void.
- 16.2.1 In the case that a contest under the three (3) round system advances to a golden round, all previous scores awarded during the first three (3) rounds shall be void.
- 16.3 The first contestant to score a point or whose opponent received two (2) "Gam-jeom" in the golden round shall be declared the winner.
- 16.4 In the event that neither contestant has scored a point after the completion of the golden round, the winner shall be decided by superiority based the following criteria:
- 16.4.1 The contestant who achieved a higher number of hits registered (but below the set hit level) by the PSS during the golden round
- 16.4.2 If the number of registered hits are tied the athlete who has scored more foot techniques awarding technical points during the one five (5) minute round shall be declared the winner.
- 16.4.2.1 The number of scored technical techniques is counted first. In the case the athletes have scored an equal number of technical techniques, one four (4) point technique is counted higher than one three (3) point technique.
- 16.4.3 If number of three- and four-point foot techniques are tied, the contestant who received less Gam-jeom during the contest will be declared winner.
- 16.4.4 If the four above criteria are the same the referee and the two (2) judges shall determine superiority based on the content of the golden round. If the superiority decision is tied among the referee and judges, the center referee shall decide the winner.
- 16.5 In the event that neither contestant has scored two (2) points after the completion of the golden round under the three (3) round system the winner shall be decided by:
- 16.5.1 The contestant who achieved a higher number of hits registered (but below the set

hit-level) by the PSS during the golden round.

16.5.2 If the number of hits registered by the PSS is tied, the contestant who won more rounds in the first three rounds.

16.5.3 If the number of won rounds are tied the contestant who achieved less number of "Gam-jeom" during all four (4) rounds.

16.5.4 If the contestants are tied after the above criteria, the referee and judges shall determine superiority based on the contents of the Golden Round. If the superiority decision is tied among the referee and judges the referee shall declare the winner.

16.6 In the best of three (3) system, in case of a tie score for the corresponding round, the round winner shall be decided by superiority based on the following criteria:

16.6.1 Most points scored by turning or spinning kick.

16.6.2 If the technical score is the same, the contestant who has more scored in the order of a higher value technique as follows (spinning, turning, trunk and Gam-jeom).

16.6.3 If the high value points are tied, the contestant who received higher number of hits registered by the PSS.

16.6.4 If the three above criteria are the same, the referee and judges shall determine superiority.

a) In the case of two (2) corner judges, winner shall be decided by referee and two (2) judges

b) In case of three (3) corner judges, winner shall be decided by three (3) judges except referee.

(Interpretation #16.3)

The winner will be the athlete that scores the first point or who's opponent receives two "Gam-jeom". A single "Gam-jeom" will not be counted as a point for the opponent during the Golden round. The PSS will determine who scored first in the case of athletes delivering valid scoring techniques at the same time.

(Interpretation #16.4.1)

In the case there is a hit through prohibited act to the PSS below the hit level. Center Referee must give a penalty and invalidate the hit for the purpose of superiority.

(Interpretation #16.4.4)

Decision of superiority by judges shall be based on technical dominance of an opponent through aggressive contest management, the greater number of techniques executed, the use of the more

advanced techniques both in difficulty and complexity, and display of the better competition manner.

Procedure

The procedure for superiority decision shall be as follows (except for the best of three (3) system).

- 1) Prior to the contest, all refereeing officials take the superiority card with them.
- 2) When a contest is to be decided by superiority, the referee shall declare “Woo-se-girok (Record Superiority)”.
- 3) Upon the referee’s declaration, the judges shall record the winner within 10 seconds with their heads down, sign on the card and then give it to the referee.
- 4) The referee shall collect all superiority cards, record the final result, and then declare the winner.
- 5) Upon declaration of winner, the referee shall hand over the cards to the recorder and the recorder shall submit the cards to the Technical Delegate of World Taekwondo Federation.

Guideline for officiation the best of three (3) system

- a) When a round is to be decided by superiority, the referee shall declare “Woo-se-girok (Record superiority)”.
- b) Upon the referee’s declaration, the judges declare the winner simultaneously after the Referee’s count of three (3) by using round winner hand signal facing the head table.
 - In case of two (2) corner judges, winner shall be decided by referee and two (2) corner judges.
 - In case of three (3) corner judges, winner shall be decided by three (3) corner judges except referee.
- c) The Review Jury shall record the final result, and declare to Operator the round winner.

Upon declaration of winner, the referee shall declare the round or match winner.

Article 17

Decisions

- 17.1 Win by Referee Stops Contest (RSC)
- 17.2 Win by final score (PTF)
- 17.3 Win by point gap (PTG) or point sealing (PTS)
- 17.3.1 In the case of thirty (30) points difference between the two (2) competitors at any time during the five (5) minute round, the referee shall stop the contest and declare winner by point gap (PTG).
- 17.3.2 The first athlete to reach forty (40) points shall be declared winner by point sealing (PTS) at any time during the match.
- 17.3.3 The Technical Delegate for the tournament shall have the right to decide if Win by Point Gap (PTG) and Win by Point Sealing (PTS) shall be implemented or not during elimination stages, semifinals and finals.
- 17.4 Win by Golden Points (GDP)
- 17.5 Win by Superiority (SUP)
- 17.6 Win by withdrawal (WDR)
- 17.7 Win by disqualification (DSQ)
- 17.8 Win by Change of sport class after first appearance (CSC)
- 17.9 Win by referee's punitive declaration (PUN)
- 17.10 Win by Disqualification for unsportsmanlike Behavior (DQB)
- 17.11 Win by Bye (BYE)

(Interpretation #17.1)

Referee Stops Contest

The referee declares RSC in the following situations:

- ✓ if a contestant has been knocked down by an opponent's permitted technique and cannot resume the contest by the count of "Yeo-dul"; or if the referee determines the contestant is not able to resume the competition regardless of the progress of counting;
- ✓ if a contestant cannot continue the contest after one minute of medical treatment;
- ✓ if a contestant disregards the referee's command to continue the contest three times;
- ✓ if the referee recognizes the need to stop the contest to protect a contestant's safety;
- ✓ when the Commission Doctor determines that the contest should be stopped due to a contestant's injury other than dangerous and unsafe play situations;

When an athlete loses a contest by RSC previous results in the tournament shall be counted in the tournament results.

(Interpretation #17.3.1)

The athlete who first reaches a thirty (30) points lead over the opponent shall be declared the winner by point gap (PTG)

(Interpretation #17.3.2)

Win by point sealing (PTS)

The player that first reaches forty (40) points will be declared as winner at any time during the contest.

(Interpretation #17.3.3)

The Technical Delegate for the tournament shall have the right to decide if Win by Point Gap (PTG) and Win by Point Sealing (PTS) shall be implemented or not during elimination stages, semifinals and finals.

(Interpretation #17.6)

Win by withdrawal

The winner is determined by withdrawal of the opponent.

- ✓ When an athlete withdraws from the contest due to injury or other reasons
- ✓ When the coach throws a towel into the court to signify forfeiture of the contest
- ✓ When an athlete has been hit to the head due to unintentional Dangerous play and is cleared by commissioned doctor to continue but refuses to do so.
- ✓ When an athlete has been hit to the head by unintentional/accidental dangerous play and it is decided by the commissioned doctor that the athlete cannot continue
- ✓ When an athlete has been hit to the head by unsafe play and it is decided by the commissioned doctor that the athlete cannot continue

When an athlete withdraws (WDR) from a contest previous contest results in the tournament shall be counted in the tournament results.

(Interpretation #17.7)

Win by disqualification

This is the result determined by the contestant's failure in weigh-in or when a contestant fails to report to the athlete calling desk following the third call.

The follow-up actions should be different in accordance with the reason of disqualification

- ✓ In the event that athletes have not passed or did not show at weigh-in: The result should be reflected on the draw sheet and the information should be provided to technical officials and all relevant persons. Referees will not be assigned for this contest. The opponent of athletes that did not pass or show at weigh-in will not need to appear at the court to compete.



- ✓ In the event that an athlete passed weigh-in but did not appear at the athlete calling desk: The assigned referee and opponent shall enter the FOP and be waiting in their position until the referee declares the opponent a winner of the contest. Detailed procedure is stipulated in Article 11.4
- ✓ When an athlete has committed unintentional dangerous play three (3) times in the same contest.

When an athlete has received a DSQ in a contest he/she will not be allowed to compete further in the tournament. Results from previous contests, if any, in the same tournament shall be counted.

(Interpretation #17.8)

Win by Change of sport class after first appearance

When the athlete has a change in his/her sport class to different sport class after first appearance the opponent will go on to the next round. The opponent shall be declared winner by change of sport class after first appearance (CSC).

(Interpretation #17.9)

Win by the referee's punitive declarations

The referee declares PUN in the following situations:

- ✓ if a contestant accumulated ten (10) "Gam-jeom";

(Interpretation #17.10)

Win by Disqualification for unsportsmanlike Behavior (DQB)

DQB shall be declared in the following situations:

- ✓ When a contestant cheats the process of weigh-in
- ✓ if it is determined that a contestant manipulates the sensor(s) or scoring system of the PSS;
- ✓ When a contestant is found violating the WT Anti-doping Rules
- ✓ In the event that an athlete has intentionally committed Dangerous play resulting in the opponent being unable to continue the contest. The opponent shall win the contest by disqualification for unsportsmanlike behavior (DQB). The athlete shall also be given a penalty for misconduct and a yellow card for intentional dangerous play.
- ✓ In the case the commissioned doctor is convinced that an athlete is faking an injury and/or a hit to the head to win the contest
- ✓ if a contestant or coach refuses to follow the referee's commands or to comply the Competition Rules or commits other serious infringing behavior including improper protest.

All results of a contestant who lost by DQB shall be removed. Any other contestant's results which is affected by the DQB shall be corrected accordingly.

Explanation best of three (3) system

In the best of three (3) system, the decisions shall follow the procedure of article 17:

- Win by Referee Stops Contest (RSC)



- Win by final score (PTF)
 - Win by withdrawal (WDR)
 - Win by disqualification (DSQ)
 - Win by disqualification for unsportsmanlike behavior (DQB)
-

Article 18

Knock down

A Knock Down shall be declared when a permitted technique is delivered to a permitted area and;

- 18.1 When any part of the body other than the sole of the foot touches the floor due to the force of the opponent's permitted technique to permitted areas;
- 18.2 When a contestant is staggered and shows no intention or ability to continue as a result of the opponent's permitted techniques to permitted areas;
- 18.3 When the referee decides that the contest cannot continue as the result of being struck by a permitted technique to a permitted area;

(Interpretation #18)

A knock down:

This is the situation in which a contestant is knocked to the floor or is staggered, bleeding or unable to respond adequately to the requirements of the contest due to a blow. Even in the absence of these indications, the referee may interpret a knock down, the situation where, as the result of contact, it would be dangerous to continue or when there is a question about safety of a contestant.

Article 19

Procedure in the case of a knock down

- 19.1 When an athlete is Knocked Down as the result of the opponent's permitted technique delivered to a permitted area, the referee shall take the following measures;
- 19.1.1 The referee shall keep the opponent away from downed athlete by declaration of "Kal-yeo" (break);
 - 19.1.2 The referee shall first check the status of the downed athlete and count aloud from "Ha-nah" (one) up to "Yeol" (ten) at one (1) second intervals towards the downed athlete, making hand signals indicating the passage of time;
 - 19.1.3 In the case the downed athlete stands up during the referee's count and desires to continue the contest, the referee shall continue the count up to "Yeo-dul" (eight) for recovery of the athlete. The referee shall then determine if the athlete is recovered and, if so, continue the contest by declaration of "Kye-sok" (continue);
 - 19.1.4 When an athlete who has been knocked down cannot demonstrate the will to resume the contest by the count of "Yeo-dul" (eight), the referee shall announce the opponent the winner by RSC (Referee Stops Contest);
 - 19.1.5 The count shall be continued even after the end of the round or the expiration of the contest time;
 - 19.1.6 In the case both athletes are knocked down, the referee shall continue counting as long as one of the athletes has not sufficiently recovered;
 - 19.1.7 In the case both athletes are knocked down and both athletes fail to recover by the count of "Yeol" (ten), the winner shall be decided by the contest score before the occurrence of Knock Down;
 - 19.1.8 When it is determined by the referee that an athlete is unable to continue the referee may decide the winner either without counting or during the counting.
- 19.2 Any athlete who could not continue the contest as a result of a serious injury to any part of the body cannot enter competition within thirty (30) days without approval of the WT Medical Committee after submission of a statement from the physician designated by the pertinent Member National Association.
- 19.2.1 Except for medical emergency, any athlete with any serious injury must be evaluated by venue medical doctor and confirmed by Medical Chairman (MC) at medical room immediately after the contest.
 - 19.2.2 Any athlete who had knock-out due to head injury must be checked by Medical Doctor at medical room as explained in the WT Medical Rules. A venue medical

doctor must perform SCAT5 on the injured contestant for diagnosis of concussion in the case of head injury within thirty (30) minutes after the head injury.

19.2.3 Any athlete who has been diagnosed with a concussion based on evaluation with SCAT5 will receive a forty-five (45) day suspension

19.2.4 Any athlete that have had two (2) concussions within a 90-day period will automatically get a 90-day suspension. Any athlete that suffer three (3) concussions within twelve (12) months (one year) will be given a twelve (12) month (one year) suspension.

(Interpretation #19.1.1)

Keep the opponent away:

In this situation the standing opponent shall return to the respective athlete's mark, however, if the downed athlete is on or near the opponent's athlete's mark, the opponent shall wait at the boundary line in front of his/her coach's chair.

The referee must be constantly prepared for the sudden occurrence of a knock down or situation where the athlete is staggered, which is usually characterized by a powerful blow accompanied by impact.

(Interpretation #19.1.3)

In case the downed athlete stands up during the referee's count and desires to continue the fight: The primary purpose of counting is to protect the athlete. Even if the athlete desires to continue the contest before the count of eight is reached, the referee must count until "Yeo-dul (eight)" before resuming the contest. Counting to "Yeo-dul" is compulsory and cannot be altered by the referee.

**Count from one to ten: Ha-nah, Duhl, Seht, Neht, Da-seot, Yeo-seot, Il-gop, Yeo-dul, A-hop, Yeol.*

(Interpretation #19.1.3)

The referee shall then determine if the athlete has recovered and, if so, restart the contest by the declaration of "Kye-sok":

The referee must ascertain the ability of the athlete to continue while he/she counts until eight.

Final confirmation of the athlete's condition after the count of eight is only procedural and the referee must not needlessly pass time before resuming the contest.

(Interpretation #19.1.4)

When an athlete who has been knocked down cannot express the will to resume by the count of "Yeo-dul", the referee shall announce the opponent winner by RSC after counting to "Yeol":

The athlete expresses the will to continue the contest by gesturing several times in a fighting position with the clenched fists. If the athlete cannot display this gesture by the count of "Yeo-dul", the referee must declare the opponent winner after first counting "A-hop" and "Yeol". Expressing the will to continue after the count of "Yeo-dul" cannot be considered valid. Even if the athlete expresses the will to resume by the count of "Yeo-dul", the referee can continue counting and may

declare the contest over if he/she determines the athlete is incapable of resuming the contest.

(Interpretation #19.1.4)

When an athlete is downed by a powerful scoring blow and whose condition appears serious, the referee can suspend the count and call for first aid or do so in conjunction with the count.

(Guideline for officiating)

i. The referee must not spend additional time confirming the athlete's recovery after counting to "Yeo-dul" as a result of failing to observe that condition during the administration of the count.

ii. When the athlete clearly recovers before the count of "Yeo-dul" and expresses the will to resume and the referee can clearly discern the athlete's condition yet resumption is hampered by the requirement of medical treatment, the referee must first resume the contest with the declaration of "Kye-sok" and immediately after declare "Kal-yeo" and "Kye-shi" and then follow the procedures of Article 21.

Article 20

Procedure in the event of hit to the head

In Para Taekwondo kyorugi all techniques to the head has been prohibited to ensure the safety of the athletes. Hit to the head is defined as hitting the head with the hand (fist), arm, elbow or any part of the body including permitted techniques listed in Article 12.1.

20.1 Procedure in the case of Hit to the Head

20.1.1 The referee shall keep the opponent away from the athlete that was hit to the head by declaration of "Kal-yeo" and "Keyshi";

20.1.2 In the case the referee determine that the athlete can continue the referee shall continue the contest by declaration of "Kye-sok" (continue) after giving penalties to the opponent in accordance with article 15;

20.1.2.1 The Referee shall ask for IVR to determine if the situation concerns Dangerous play or Unsafe play, if he or she is uncertain

20.1.3 In the case the referee has any doubt regarding the athlete's status and ability to continue the commissioned doctor shall be called to make a final decision;

20.1.4 In the case the commissioned doctor decides that the athlete is able to continue the referee shall continue the contest by declaration of "Kye-sok" (continue) after giving penalties in accordance with article 15;

20.1.5 In the case the commissioned doctor decides that it is unsafe for the athlete who received the hit to the head by unintentional/accidental play to continue the athlete shall be withdrawn (WDR) after giving penalties to the opponent for dangerous play in accordance with article 15;

20.1.6 In the case an athlete that has been hit to the head is determined by the commissioned doctor as able to continue but refuses to do so he/she shall be considered withdrawn (WDR).

20.1.7 If the commissioned doctor is convinced that the athlete is faking an injury or hit to the head, then the athlete who was hit in the head shall be disqualified due to unsportsmanlike behavior (DQB) and the opponent shall be declared the winner;

20.1.8 In the case the hit to the head is a result of unsafe play from the athlete that received the hit to the head no penalties shall be given to the opponent.

- 20.1.8.1 In the case the commissioned doctor decides that it is unsafe for the athlete who received the hit to the head to continue as a result of unsafe play the opponent shall be declared the winner by withdrawal (WDR);
- 20.1.8.2 In the case the commissioned doctor decides that the athlete is able to continue the referee shall continue the contest by declaration of "Kye-sok" after giving penalties to the athlete for unsafe play in accordance with article 15;
- 20.1.9 In the case an athlete falls and hits his head on the mat resulting from regular game play, without involving prohibited acts from the athlete or opponent, the commissioned doctor shall determine if the athlete is able to continue;
- 20.1.9.1 In the case the commissioned doctor decides that it is unsafe for the athlete to continue the opponent shall be declared the winner by withdrawal (WDR);
- 20.1.9.2 In the case the commissioned doctor decides that the contestant is able to continue the referee shall continue the contest by declaration of "Kye-sok";
- 20.2 The commissioned doctor may take more time than the prescribed one (1) minute injury time to determine if an athlete can safely continue the contest or not. This only applies for hit to the head.
- 20.2.1 Before the prescribed one (1) minute injury time expires the Referee shall ask the commissioned doctor if more time is needed;
- 20.2.2 In the case the commissioned doctor needs more time the Referee shall declare "Shi-gan" when the one (1) minute injury time expires;
- 20.2.3 In the case the commissioned doctor determines that the athlete cannot continue Art. 20.1.1 and 20.1.5 shall apply;
- 20.2.4 In the case the commissioned doctor determines that the athlete can continue Art. 20.1.2 and 20.1.4 shall apply;
- 20.3 Any athlete that has experienced a hit to the head is subject to Article 19.2

(Interpretation #20.1.4)

No team doctors or physicians are allowed to determine if the athlete can continue or not. This decision can only be made by the commissioned doctor for the tournament.

Article 21

Procedures of suspending the contest

- 21.1 When a contest is to be stopped due to the injury of one or both athletes, the referee shall take the measures prescribed below.
- 21.1.1 The referee shall suspend the contest by declaration of “Kal-yeo” and order the recorders to suspend the time by announcing “Kye-shi (suspend)”;
- 21.1.2 The referee shall allow the athlete one minute to receive first aid by the commission doctor; the referee may allow team doctor to treat first aid if the commission doctor is not available or if it is deemed necessary;
- 21.1.2.1 The commissioned doctor may request more time (up to two minutes), if necessary.
- 21.1.2.2 If there is a no commissioned doctor, team doctor or medical chairman available, any doctor (or medical associate) near competition mat can be requested to provide the athlete with first aid.
- 21.1.3 If an injured athlete cannot return to the contest after one minute the referee shall declare the opponent winner.
- 21.1.4 In case resumption of the contest is impossible after one minute, the athlete causing the injury by a prohibited act to be penalized by “Gam-jeom” and shall be declared the loser by disqualification (DSQ).
- 21.1.5 In case both the athletes are knocked down and are unable to continue the contest after one minute, the winner shall be decided upon points scored before the injuries occurred.
- 21.1.6 If the referee determines an athlete's pain is not severe the referee shall declare “Kal-yeo” and give a command to resume the contest with the call “stand-up”. If the athlete refuses to continue the contest after the referee gives the command “stand up” three times, the referee shall declare the contest ‘Referee Stops Contest’ (RSC).
- 21.1.7 If the referee determines an athlete's pain to be severe the referee shall allow the athlete to receive a first aid treatment for one minute after “Kye-shi”. The referee may allow the athlete to receive first aid treatment even after giving the command “stand-up”;
- 21.1.8 Stopping the contest due to injury: An athlete who continues the contest with pain and shows pain in the same manner as the first time or more severe, the referee shall consult with WT commissioned doctor assigned for the competition who may advise the referee to stop the contest and declare the injured the loser by

withdrawal (WDR).

- 21.2 In a situation which warrants suspending the contest for reasons other than an injury, the referee shall declare “Shi-gan (time)” and resume the contest by declaring “Kye-sok (continue)”.

(Interpretation #21.1)

When the referee determines that the competition cannot be continued due to injury or any other emergency situation, he/she may take the following measures:

- i. If the situation is critical such as an athlete losing consciousness or suffering from a severe injury and time is crucial, first aid must be immediately directed first and the contest must be closed. In this case, the result of the contest will be decided as follows:
 - The athlete causing the injury shall be declared the loser if the outcome was the result of a prohibited act to be penalized by “Gam-jeom”.
 - The incapacitated opponent shall be declared the loser if the outcome was the result of a legal action or accidental, unavoidable contact.
 - If the outcome was unrelated to the contest contents, the winner shall be decided by the contest score before suspension of the contest. If the suspension occurs before the end of the first round, the contest shall be invalidated.
- ii. If first aid treatment is need for an injury, the athlete can receive necessary treatment within one minute after the declaration of “Kye-shi”.
 - a) Order to resume the contest: It is the decision of the center referee, after consultation with the Commission Doctor, whether or not it is possible for the athlete to resume the contest. The referee can anytime order the athlete to resume the contest within one minute. The referee can declare any athlete who does not follow the order to resume the contest the loser of the contest by withdrawal (WDR).
 - b) While the athlete is receiving medical treatment or is in the process of recovering, 40 seconds after the declaration of “Kye-shi”, the referee begins to loudly announce the passage of time in five second intervals. When the athlete cannot return to the Contestant’s Mark by the end of the one-minute period, the contest results must be declared.
 - c) After the declaration of “Kye-shi”, the one-minute time interval must be counted from the moment the commissioned doctor enters the mat or after waiting for the commissioned doctor for up to ten (10) seconds, if not readily available at the mat. However, when the doctor’s treatment is required but the doctor is absent or additional treatment is necessary, the one-minute time limit can be suspended by

the judgment of the referee.

d) If resumption of the contest is impossible after one minute, the decision of the contest will be determined according to sub-article “i” of this article.

iii. If both athletes become incapacitated and are unable to resume the contest after one minute or urgent conditions arise, the contest result is decided according to the following criteria:

- If the outcome is the result of a prohibited act to be penalized by “Gam-jeom” by one athlete that person shall be the loser by disqualification (DSQ).
- If the outcome was not related to any prohibited act to be penalized by “Gam-jeom”, the result of the contest shall be determined by the contest score at the time of suspension of the contest. However, if the suspension occurs before the end of the match, the contest shall be invalidated and the Technical Delegate will determine an appropriate time to re-contest the contest. The athlete who cannot resume the contest shall be deemed to have withdrawn (WDR) from the contest.
- If the outcome is the result of prohibited acts to be penalized by “Gam-jeom” by both athletes, then both athletes shall lose by disqualification (DSQ).

(Interpretation #21.2)

The situation which warrants suspending the contest beyond the above-prescribed procedures shall be treated as follows.

- i. When uncontrollable circumstances require suspension of the contest, the referee shall suspend the contest in accordance with the WT Para Taekwondo Competition Rules.
 - ii. If the contest is suspended before the conclusion of the match, the contest shall be resumed when available and be conducted with the time and result from the point when the match was suspended.
 - iii. In the case of technical issues the Center Referee shall suspend the contest and ask for IVR and request the TA to check the LOG file to find out the standing and time when the technical problem occurred so that the match can resume from the same time and standing.
-

Article 22

Technical officials

22.1 Technical Delegate (TD)

21.1.1 Qualification: In general, the chairperson or vice chair or member of the WT Para Taekwondo Committee, shall be appointed TD for WT promoted events. However, the WT President can appoint another qualified TD upon recommendation of WT Secretary General in the case the Chairpersons are not available.

21.1.2 Roles: TD is responsible to ensure that WT Para Taekwondo Competition Rules and Technical Manual are properly applied and to preside over the Head of Team meeting and drawing of lots session. TD approves the result of draw, weigh-in and competitions before it being publicized. TD has the right to make final decisions on competition area and overall technical matters on competitions in consultation with the Competition Supervisory Board (CSB). TD shall make final decisions on any matters pertaining to competitions not prescribed in Competition Rules. TD serves as the Chairman of Competition Supervisory Board.

22.2 Competition Supervisory Board (CSB) Member

22.2.1 Qualification: CSB members shall be appointed by the WT President upon recommendation of Secretary General from those who have sufficient experience and knowledge of para taekwondo and taekwondo competitions.

22.2.2 Composition: CSB shall consist of one Chairperson and no more than four (4) members at WT-promoted championships. The Chairperson and vice chair of the WT Para Taekwondo Committee and one representative from the Commissioned Doctor as well as two officials recommended by WT Para Taekwondo Committee shall be appointed by the WT President upon the recommendation of the Secretary General. The composition, however, may be adjusted by the President, if necessary.

22.2.3 Roles: CSB shall assist TD in competitions and technical matters and ensure the competitions are held in accordance with the schedule and the WT Rules. CSB shall evaluate the performances of Review Jury and refereeing officials. CSB shall also concurrently act as the Extraordinary Sanctions Committee during competition with regard to competition management matters.

22.3 Commissioned Doctor (CD)

22.3.1 Qualification: The Para Taekwondo Committee member in charge of medical matters or, in the case of unavailability, chairperson or member of the WT Medical Committee, in the case he/she is a medical doctor, shall be appointed as the commissioned doctor for WT events. However, the WT President may appoint another qualified person as the commissioned doctor upon recommendation of WT Secretary General in the case no WT Medical Committee member is available;

22.3.2 Roles: The CD is responsible to ensure that the medical and emergency services function in accordance with WT Rules and that medical teams and volunteers are trained in WT procedures. The CD will also be called to make final decisions if athletes are able to continue or not after injury.

22.4 Review Jury (RJ)

22.4.1 Qualification: Holder of International Para Taekwondo Referee Certificate registered by World Para Taekwondo. RJ shall be appointed by Referee Chair for the tournament from those who are experienced and highly qualified International Referees.

22.4.2 Composition: One (1) RJ shall be allocated per court.

22.4.3 Roles:

- ✓ RJ shall review an instant replay and inform the referee of the decision within twenty (20) seconds.
- ✓ RJ shall keep monitoring the scoreboard during the contest if the scoring, penalties and timing are correctly published, and immediately notify the referee of any problematic issue in this regard.
- ✓ Notify the referee of starting or stopping the contest in close communication with the system operator and recorder. If a TA is used this task will be handled by the TA.
- ✓ Manually record all scores, penalties and IVR result. If a TA is used this task will be handled by the TA.

22.5 Refereeing officials

22.5.1 Qualification: Holders of International Para Taekwondo Referee Certificate registered by World Para Taekwondo

22.5.2 Duties

22.5.2.1 Referee

22.5.2.1.1 The referee shall have control over the contest.

22.5.2.1.2 The referee shall declare “Shi-jak”, “Keu-man”, “Kal-yeo”, “Kye-sok”, “Kye-shi”, “Shi-gan”, winner and loser, deduction of points, warnings and retiring. All the referees’ declarations shall be made after the results are confirmed.

22.5.2.1.3 The referee shall have the right to make decisions independently in accordance with the prescribed rules.

22.5.2.1.4 In principle, the center referee shall not award points. However, Center Referee or one of the corner judges raises his/her hand because a point was not scored, then the center referee will convene a meeting with the judges and may call for IVR in the case the coach does not have a IVR

- quota. If it was found that the two (2) corner judges agree to do so the result can be revised.
- 22.5.2.1.5 In case as defined by Article 16, the decision of superiority shall be made by refereeing officials after the end of the golden round. In the case of a 3 judge setting, if it was found that two (2) judges request for a change of the judgement, the referee must accept and correct the judgement.
- 22.5.2.2 Judges
- 22.4.2.2.1 The judges shall mark the valid points immediately.
- 22.4.2.2.2 The judges shall state their opinions forthrightly when requested to do so by the referee.
- 22.5.2.3 Technical Assistant (TA)
- 22.5.2.3.1 TA shall keep monitoring scoreboard during the during the contest if the scoring, penalties and timing are correctly publicized, and immediately notify the referee of any problematic issue in this regard.
- 22.5.2.3.2 TA shall notify the referee of starting or stopping the contest in close communication with system operator and recorder.
- 22.5.2.3.3 TA manually records all scores, penalties and IVR results in TA paper.
- 22.5.3 Composition of refereeing officials per court
- 22.5.3.1 The officials' squad is composed of one (1) referee and two (2) judges.
- 22.5.3.2 The officials' squad under a three (3) judge system is composed of one (1) referee and three (3) judges.
- 22.5.4 Assignment of refereeing officials
- 22.5.4.1 The assignment of the referees and judges shall be made after the contest schedule is fixed.
- 22.5.4.2 Referees and judges with the same nationality as that of either contestant shall not be assigned to such a contest. However, an exception can be made for the judges when the number of refereeing officials is insufficient.
- 22.5.5 Responsibilities for decisions: Decisions made by the referees and judges shall be conclusive and they shall be responsible to the Competition Supervisory Board for the content of those decisions.
- 22.5.6 Uniforms
- 22.4.6.1 The referees and judges shall wear the uniform designated by the WT.

22.4.6.2 The refereeing officials shall not carry or take any materials to the contest area which might interfere with the contest. Use of mobile phones by refereeing officials in the field of play may be restricted, if necessary.

22.6 Recorders: The recorder shall time the contest, periods of time-out, and suspensions, and also shall record and publicize the awarded points, and/or penalties.

(Explanation)

Refereeing officials must stay in a separate hotel to avoid any contact with team officials. The hotel should be located less than 20 minutes distance by car from the venue.

(Interpretation #22.1 & 22.2)

TD may replace or penalize the refereeing officials in consultation with CSB in the event that refereeing officials have been wrongly assigned, or when it is judged that any of the assigned refereeing officials have unfairly conducted the contest or made unjustifiable mistakes repeatedly.

(Interpretation #22.5)

The details of the refereeing official's qualifications, duties, organization, etc. shall follow the WT Regulations on International Referees in Para Taekwondo Kyorugi.

(Guideline for officiating #22.5)

In case that each judge awards different score respectively for a permitted foot technique to the scoring area, for instance, one judge gives one point, another gives two and the other gives no point, and that no point is recognized as a valid one, or in the case that the recorder makes mistakes in timing, scoring or penalties, any of the judges may indicate the mistake and ask for confirmation among the judges. Then, the referee may declare "Kal-yeo" (break) followed by "Shi-gan" (time) to stop the contest and gather the judges to ask for a statements. After discussion, the referee must publicize the resolution. In the case that a coach requests for video review for the same case that one of the judges requests for a meeting between refereeing officials, the referee shall first gather judges before taking the request from coach. If it has been decided to correct the decision, the coach shall remain seated without using appeal quota. If the coach still stands and request for video review, the referee shall take the coach's request.

Article 23

Instant Video Replay (IVR)

- 23.1 In case there is an objection to a judgment of the refereeing officials during the contest, the coach of an athlete can make a request to the center referee for an immediate review of the video replay. The coach can request video review for the following;
- 23.1.1 Penalty against the opponent for instances of falling down or crossing the boundary line or attacking the opponent after “Kal-yeo” or attacking the fallen opponent.
 - 23.1.2 Invalidation of penalty given to the athlete for Dangerous play due to instance of unsafe play from the opponent
 - 23.1.3 Validation or invalidation of Technical points
 - 23.1.4 Any penalty against own contestant
 - 23.1.5 Any mechanical malfunction or error in time management
 - 23.1.6 When referee forgot to invalidate point(s) after “Gam-jeom” was given for prohibited act.
 - 23.1.7 Wrong identification of first attacking contestant by judge
- 23.2 When coach appeals, the center referee will approach the coach and ask the reason for the appeal. Any appeal shall not be admissible on any points scored by valid scoring foot techniques on trunk PSS. The scope of instant video replay request is limited to the only one action which has occurred within five (5) seconds from the moment of the coach’s request. Once the coach rises the blue or red card to request for instant video replay, it will be considered that the coach has used his/her allocated appeal under any circumstance unless the judge's meeting satisfies the coach.
- 23.3 Referee shall request the Review Jury to review the instant video replay. Review Jury, who is not of the same nationality as the contestants, shall review the video replay.
- 23.4 After review of the instant video replay, the Review Jury shall inform the center referee of the final decision within twenty (20) seconds after receiving the request.
- 23.5 Coach shall be allocated with one (1) appeal to request an instant video replay request per each contest. However, based on the size and level of the Championships, the Technical Delegate may decide the number of appeal quota during the head of team meeting. If the appeal is successful and the contested request is correct, the coach shall retain the appeal right for the pertinent contest.
- 23.6 The decision of the Review Jury is final; no further appeals during the contest or protest

after the contest will be accepted.

- 23.7 In the case that there is a clear erroneous decision from the refereeing officials on identification of the contestant or errors in the scoring system, any of the judges shall request for review and correct the decision at any time during the contest. Once the refereeing officials leave the contest area, it will not be possible for anyone to request for review or to change the decision.
- 23.8 In the case of a successful appeal, the Competition Supervisory Board may investigate the contest at the end of the competition day and take disciplinary action against the concerned refereeing officials, if necessary.
- 23.9 In the last 10 seconds of the match and in any time during Golden round, any of the judges can ask for review and correction of scoring when a coach does not have appeal quota.

Article 24

Sanctions

- 24.1 The WT President, Secretary General or Technical Delegate may request that an on-spot Extraordinary Sanctions Committee be convened for deliberation when unsportsmanlike behavior is committed by a coach, athlete, official, and/or any representative of a Member National Association (MNA).
- 24.2 The Extraordinary Sanctions Committee shall deliberate the matter and may summon person(s) concerned for confirmation of events.
- 24.3 The Extraordinary Sanctions Committee shall deliberate the matter and determine disciplinary actions to impose. The result of deliberation shall be immediately announced to the public and reported in writing, together with relevant facts and rationale to the WT President and/or Secretary General.
- 24.4 Potential violations on Conduct of a contestant;
- 24.4.1 Refusing the referee's command to complete the ending procedures of the contest, including but not limited to bowing to the opponent at the end of the contest or participating in the declaration of the winner;
- 24.4.2 Throwing belongings or equipment (headgear, gloves, etc.) as an expression of dissatisfaction with the contest outcome;
- 24.4.3 Not leaving the competition area after the contest;
- 24.4.4 Not returning to a contest after a referee's repeated command;
- 24.4.5 Not complying with the Competition official's ruling or command;
- 24.4.6 Manipulation of scoring equipment, sensors and/or any part of a PSS;
- 24.4.7 Any serious unsportsmanlike behavior, including faking an injury to gain an advantage and intentional dangerous play, during a contest or aggressive misconduct toward competition officials
- 24.4.8 Non co-operation during Athlete Classification or committing International Misrepresentation (IM).
- 24.4.9 Any athlete who withdraws after weigh-in will be subject to an investigation as to whether the withdrawal was in bad faith. (Bad faith includes, but is not limited to, having a prior illness or injury such that it was unreasonable to expect the athlete to be able to compete at the time of the weigh-in.) The burden will be on the athlete to demonstrate that withdraw was not in bad faith. If the investigation panel

determines that the withdrawal was in bad faith the athlete will be suspended for up to six (6) months, and the athlete and members of the athlete's entourage may be subject to further investigation.

- 24.5 Potential violations on conduct of a Coach, Official, or representatives of a MNA;
 - 24.5.1 Complaining or arguing against an officials decision during or after a round;
 - 24.5.2 Arguing with the referee or other official(s);
 - 24.5.3 Violent behavior or remark toward officials, athletes or spectators during a contest;
 - 24.5.4 Provoking spectators or spreading false rumor;
 - 24.5.5 Instructing athlete(s) to participate in misconduct, such as remaining in the competition area after a contest, refuse bowing or faking an injury or telling an athlete to injure the opponent;
 - 24.5.6 Violent behavior such as throwing or kicking personal belonging(s) or competition material(s);
 - 24.5.7 Not following instructions of competitions officials to leave the Field of Play or Venue
 - 24.5.8 Instructing an athlete to Intentional Misrepresentation (IM) during classification and first appearance;
 - 24.5.9 Attempt to bribe competition officials;
 - 24.5.10 Any other serious misconducts toward competition officials;
 - 24.5.11 To instruct an athlete not to cooperate during Athlete Classification or to commit International Misrepresentation (MI).
- 24.6 Disciplinary actions: Disciplinary actions issued by the Extraordinary Sanctions Committee may vary according to the degree of the violation. The following sanctions may be given:
 - 24.6.1 Disqualification of the athlete
 - 24.6.2 Warning and order to issue official apology
 - 24.6.3 Removal of accreditation and/or coach certification
 - 24.6.4 Ban from the Competition Venue
 - 24.6.4.1 Ban for the day

- 24.6.4.2 Ban for the duration of the tournament
- 24.6.5 Cancellation of Result
 - 24.6.5.1 Cancellation of the contest result and all related merits
 - 24.6.5.2 Cancellation of WT World Para Taekwondo Ranking points
- 24.6.6 Suspension of athlete, coach, team official from all WT activities (including CU and MNA-level activities)
 - 24.6.6.1 6 months suspension
 - 24.6.6.2 1 year suspension
 - 24.6.6.3 2 year suspension
 - 24.6.6.4 3 year suspension
 - 24.6.6.5 4 year suspension
- 24.6.7 Ban of MNA from participating in WT Promoted or Sanctioned tournaments
 - 24.6.7.1 Specified championships and/or tournaments;
 - 24.6.7.2 All championships and tournaments for a specified period of time (up to four (4) years);
- 24.6.8 Monetary fine of between US\$100 to US\$5,000 per violation
- 24.7 The Extraordinary Sanctions Committee may recommend to the WF that additional disciplinary actions be taken against the members involved, including but not limited to longer-term suspension, lifetime ban, and/or additional monetary fines.
- 24.8 Appeal to disciplinary action(s) taken by an Extraordinary Sanctions Committee may be made in accordance with Article 6 of the WT Bylaws of Dispute Resolution and Disciplinary Action.

Article 25

Other matters not specified in the Rules

- 25.1 In the case that any matters not specified in these Rules occur, they shall be dealt with as follows;
- 25.1.1 Matter related to a contest shall be decided through consensus by the refereeing officials of the pertinent contest;
 - 25.1.2 Matters no related to a specific contest throughout the championships such as technical matters, competition matters, etc. shall be decided by the Technical Delegate.